

Warranty

Your 564 E Electric Fireplace is backed by up by a network of Specialty Hearth Dealers and certified factory trained Installers. Fireplace Xtrordinair warrants our products to be free from defects in material and workmanship for a period of 5 years from date of purchase. All parts, electronics (except light bulbs and filter), and labor are covered for a full 2 years. Trim and faces are covered for a period of one year. No other manufacturer's warranty can compare.

Additional Fireplace Xtrordinair Products

If you are in the market for other hearth products, Fireplace Xtrordinair manufactures a full line-up of wood and gas burning fireplaces and fireplace inserts.



Gas Burning Fireplaces

Fireplace Xtrordinair offers a complete line of heater rated gas fireplaces in both landscape and portrait-style designs. There are Fireplace Xtrordinair gas fireplaces in many sizes and and for every heating need.



Clean Face Gas Fireplaces

If you are interested in the latest trend in fireplace design, Fireplace Xtrordinair's Revolution™ Clean Face fireplace offers the look of a traditional open fireplace without grills or louvers. These fireplaces operate with the efficiencies and performance of a gas furnace.



Fireplace Inserts (Wood or Gas)

Turn your old, open masonry or metal (zero clearance) fireplace into a clean, efficient source of heat for your home. Fireplace Xtrordinair offers a complete line of heater rated wood and gas inserts to fit virtually any existing fireplace.



Wood Burning Fireplaces

If you prefer heating with wood, Fireplace Xtrordinair also manufactures a line of EPA Certified clean burning fireplaces that feature the remarkable Posi-Pressure complete home heating system.

564E Electric Fireplace



fireplacextrordinair™

See our complete line of fireplaces
Visit us online: www.fireplacex.com



fireplacextrordinair™

Add the Beauty of a Fireplace in Less Than An Hour!

564 E Electric Fireplace

The most extraordinary feature of this 36" fireplace is the wood-like flame and glowing embers of the fire through 564 square inches of glass. With lights built into the log set and a pulsating ember bed, these flames simulate the look of a live wood fire. The Fireplace Xtrordinair 564 Electric fireplace can be added to any room you choose in about an hour. The 564 E fireplace is also ideal if you live in an apartment or condominium where no gas line or chimney access is available. To operate the 564 E, simply unbox and plug it into a standard wall outlet. A built-in 5,000 Btu heater with an air circulating fan provides gentle heat for your room. This feature makes the 564 E ideal for providing supplemental heat to bedrooms, offices and other intimate spaces. The 564 E is also economical to operate. Cost to operate averages approximately 3 cents an hour with the flame on for ambiance and 8 cents an hour when both flame and heater are on*.

* Based on average National residential electricity 11/07. Rates vary, heating cycle at 50% of time.

Personalize Your Fireplace

You can personalize the finished look of your fireplace with one of nineteen custom designer faces in a wide variety of colors and finishes, or the Sterling Fireplace Cabinet in oak or walnut. The quality and detail of these accessories and the realism of the flames makes Fireplace Xtrordinair the most requested brand on the market.



Safe

Unlike a standard fireplace, the glass on the 564 E does not get so hot it is "untouchable," reducing hazards for children and increasing safety all around.

Indoor Air Quality

When you select our Electric Fireplace you add value to your home without sacrificing clean indoor air quality. The Purifire® clean air system is a standard feature on the 564 Electric fireplace. This system is designed to circulate, as well as clean the air in an average room 4 times per hour, removing any impurities, spores and dust from your home. This filter is easily removed for cleaning and continual use.

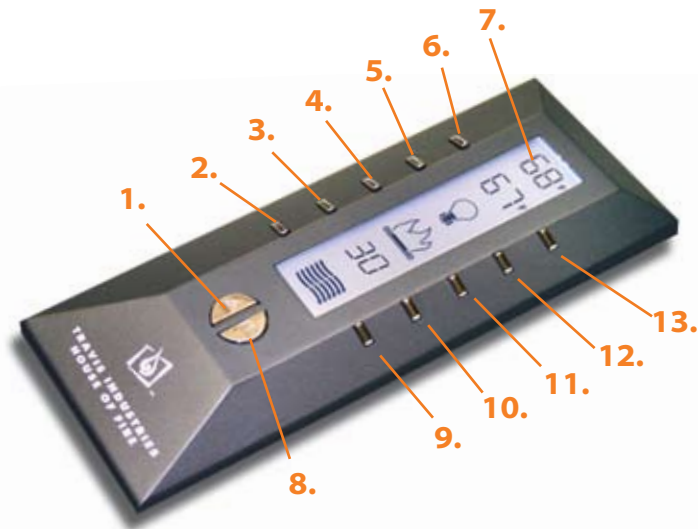
*Purifire is a registered trademark of Dimplex™ N.A.

Easy To Use

The flame speed, accent light, sleep timer, room temperature, Purifire®, and power can all be controlled by a simple to use hand-held remote.

YOU CONTROL

- | | |
|------------------------|-------------------------|
| 1. Flame & Heat On/Off | 8. Purifire® On/Off |
| 2. Purifire® Low Speed | 9. Purifire® High Speed |
| 3. Sleep Timer Down | 10. Sleep Timer Up |
| 4. Flame Speed Down | 11. Flame Speed Up |
| 5. Dimmer Down | 12. Dimmer Up |
| 6. Temperature Down | 13. Temperature Up |
| 7. Room Temperature | |

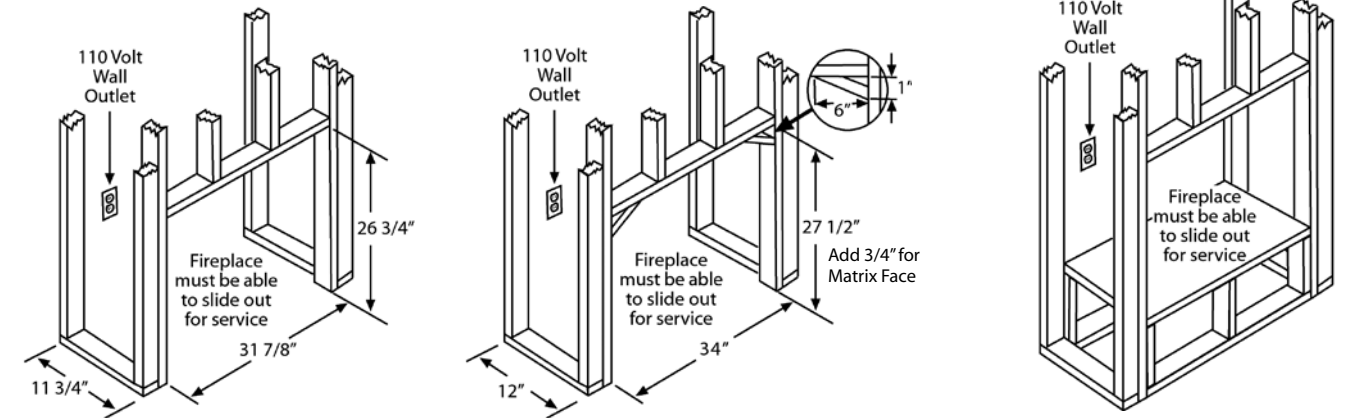


Cover: Classic Arch brushed nickel face with Williamsburg A Mantel manufactured by J. C. Huffman Co.

Installation Without A Fireplace Cabinet

If you want a flush-to-the wall look for your fireplace, you have the option of building in or framing around your 564 E Fireplace. When framing the 564 E enclosure you must follow the MINIMUM internal opening dimensions shown below. Before actually beginning the work, please consult with your dealer or go online to www.fireplacex.com for complete instructions.

The electric fireplace must be able to slide out for service. You must also provide a standard 15 AMP, 110 Volt wall outlet on the inside of the enclosure. It is preferable that the wall outlet be on its own breaker. The fireplace cannot be hard wired into the house electrical system. The electric fireplace must be plugged into a wall outlet.



(A) Flush To Floor Framing - For Basic Black Trim and Metropolitan Face.

(B) Flush To Floor Framing - For Classic Arch, French Country Arch, Artisan & Matrix Faces.

(C) Raised Framing - Depending on face used, use measurements from illustrations (A) or (B).

CAUTION

Clearance for air circulation beneath the fireplace is critical. DO NOT INSTALL THE FIREPLACE DIRECTLY ON CARPET, OR SIMILAR SURFACES WHICH MAY RESTRICT AIR CIRCULATION.



Personalize Your Fireplace

You have the option of finishing your built-in 564 E Electric Fireplace flush-to-the-wall by using drywall right up to the fireplace. Or, consider finishing the fireplace in a more traditional manner with a mantel and tile, stone or granite.

Ask your Fireplace Xtrordinair dealer about other mantel options for the 564 E Electric Fireplace, such as the Windham™ Mantel manufactured by J. C. Huffman Mantel Co. (shown here).

Visit www.jchuffman.com for details on additional mantel options.

Installation Choices

You have two ways to finish the installation of your 564 E Electric fireplace within your home. (1.) You can use one of our Sterling™ Fireplace Cabinets with a choice of two finishes, or (2.) you can build the 564 E into an existing wall or chase without a Fireplace Cabinet and finish it off like a traditional fireplace with stone, tile or a flush mantel.

Installation With A Fireplace Cabinet

If you are looking for exceptional value and a quick easy installation, add one of our Sterling Fireplace Cabinets and you can have your new 564 Electric fireplace installed in less than one hour! These cabinets allow the fireplace to be installed against any wall in your home. Fireplace Cabinets make it easy to relocate your fireplace at any time. Take the beauty and heat to other rooms or take it with you if you move.

A 15 AMP, 110 VOLT wall outlet is required. A dedicated circuit is preferred, but not essential.

Sterling Fireplace Cabinet Dimensions:

- 52 5/8" Width at Top
- 49 7/8" Width at Bottom
- 43" Height
- 17 1/2" Depth at Bottom
- 16 1/4" Depth at Top



NOTE: All faces except the Matrix work with the Sterling Fireplace Cabinet.



How Green Are Electric Fireplaces?

There's no secret that today's homeowners are looking for sustainable solutions, yet they still want a product that satisfies their sense of style and desire for luxury. The 564 E Electric Fireplace does both.

You can enjoy the ambiance of the flames year-round without the heat, thus reducing the amount of energy consumed. Or with the heater turned on, the 564 E Electric fireplace operates at 100% efficiency – every bit of power used goes into warming the room. The 564 E Electric Fireplace produces no carbon monoxide or emissions because there is no combustion. Our electric fireplace does not contribute any moisture to the indoor environment, therefore eliminating any problems that can cause mold and unhealthy indoor air conditions.

You Can Personalize the Way You Want the Flames To Look

One of the most remarkable features of the 564 E is the ability to control how the flames look within your fireplace. Your remote control gives complete access to controlling the intensity and speed of the flames and the intensity of the brick pattern within the firebox.

Adjust The Appearance of the Flames

Control the speed of the flames from a slow, lazy flame to a brisk raging fire image.



Control The Brick Interior Accent Light

Control the brick interior light with the dimmer buttons on the remote control. The interior accent light, when turned on will display a beautiful, realistic brick pattern along the sides and back of the firebox. You have the option of turning the accent light off for a dark firebox, or having the brick pattern on and adjusting it from a low, soft muted light to a high, bright setting.



Architectural™ Double Doors

The ARCHITECTURAL™ DOORS offer an elegant collection of rectangular and arched black painted double doors for the 564 E Electric Fireplace. These beautiful the doors, which can be opened, create the illusion of a much larger fireplace.



The Architectural Door Collection features the ability to add richly plated onlays to the basic black, operable double doors. Onlays are available in three distinct designs, each with their own unique, hand-rubbed antique plated finishes in bronze, copper or nickel.



This close up of the **Arts & Crafts Onlay** highlights a delicate oak leaf scroll, which is offered in a hand-rubbed antique copper finish.

Hand-Hammered Artisan™ Faces

The ARTISAN™ face design and craftsmanship are reminiscent of the ironwork in the Great Lodges of Europe and America. The Artisan face is hand-forged and hammered by master blacksmiths in Europe. Each face bears unique, subtle characteristics from the hands of its creator, making it an individual work of art in iron.

The wrought iron window detail of chiseled and twisted steel frames the soft curve of a large glass viewing window.



The heat outlet of the 564 Electric Fireplace is concealed by the graceful diamond pattern above the glass. Variations in the hand-forged metal texture create an infinite variety of firelight reflections. You can further personalize your electric fireplace with the choice of three finishes in the Artisan design - charcoal paint, hand-rubbed antique nickel finish or the rich, hand-rubbed antique copper finish.



Artisan™ Face in Charcoal Paint Finish
36 1/8" W x 29" H



Artisan™ Face in Hand-Rubbed Antique Nickel Finish - 36 1/8" W x 29" H



Artisan™ Face in Hand-Rubbed Antique Copper Finish - 36 1/8" W x 29" H

Classic Arch™ Faces

The "Original" Fireplace Xtrordinair CLASSIC ARCH™ face is our most popular fireplace face. The graceful arched opening frames the 564 square inches of viewing glass. This combination of a curved glass area and arched top line has proven timeless in its appeal to homeowners across North America. The delicate design of the heat exchange area has the appearance of woven lace, a design departure from the horizontal louvers common to inexpensive fireplaces.

The beautiful parallel arch appearance and fine detail of this face has become a unique, trademarked characteristic of Fireplace Xtrordinair, the original, and still the best arched fireplace.



Classic Arch™ Face in Metallic Black Paint Finish with our Sterling Fireplace Cabinet (Oak Finish).



Classic Arch™ Face in Brushed Nickel Finish
36 1/8" W x 29" H

French Country™ Faces

The FRENCH COUNTRY™ ARCH face is a perfect option with your Fireplace Xtrordinair electric fireplace. The French Country face frames the fire and adds a charming look to your room. The unique arch with its floral garland design comes in both metallic black paint and 24K gold hand-rubbed antique finishes.



French Country™ Face in Metallic Black Paint Finish
36 1/8" W x 29" H



French Country™ Face in 24K Gold Hand-Rubbed Antique Finish - 36 1/8" W x 29" H

Rectangular Double Doors



Architectural™ Rectangular Double Doors
in Metallic Black Paint Finish
36 1/8" W x 29" H



The **Classic™ Onlay** is available in an Antique Bronze finish and features the detailed lace-like appearance of the "Original" Fireplace Xtrordinair Classic design, when attached to the rectangular or arched double doors.



The **Artisan™ Onlay** has a soft Antique Nickel finish, which features a graceful diamond pattern when attached to the rectangular or arched double doors.

Arched Double Doors



Architectural™ Arched Double Doors
in Metallic Black Paint Finish
36 1/8" W x 29" H



Contemporary Rectangular Designs



Basic Black Frame

The economical, basic metallic black frame is designed for a clean look.

Basic Black Frame
in Metallic Black Paint Finish
33" W x 28" H

Metropolitan™ Face

This fireplace face design features the same beautiful grillwork of the Classic Arch Face, but in a more linear, contemporary style. The beveled edges of the Metropolitan Face also create an intriguing, three-dimensional appearance.



Metropolitan™ Face in Metallic Black Paint Finish
36 1/8" W x 29" H



Metropolitan™ Face in Brushed Nickel Finish
36 1/8" W x 29" H



Matrix™ Face in Brushed
Nickel Finish
47" W x 29 1/2" H

Matrix™ Face

The Matrix face offers a fresh, modern look to electric fireplaces. The Matrix design features offset, layered crimson pinstripe over black in a structured geometric grid.

Note: If you are installing the Matrix face flush with the floor, the 564 Electric Fireplace MUST BE RAISED 3/4" to accommodate the size of the face and provide airflow beneath the unit. See illustration (B) on page 11.

Sterling Fireplace Cabinets do not accept the Matrix face.



564 E Shown with the Matrix™ Brushed Nickel Face