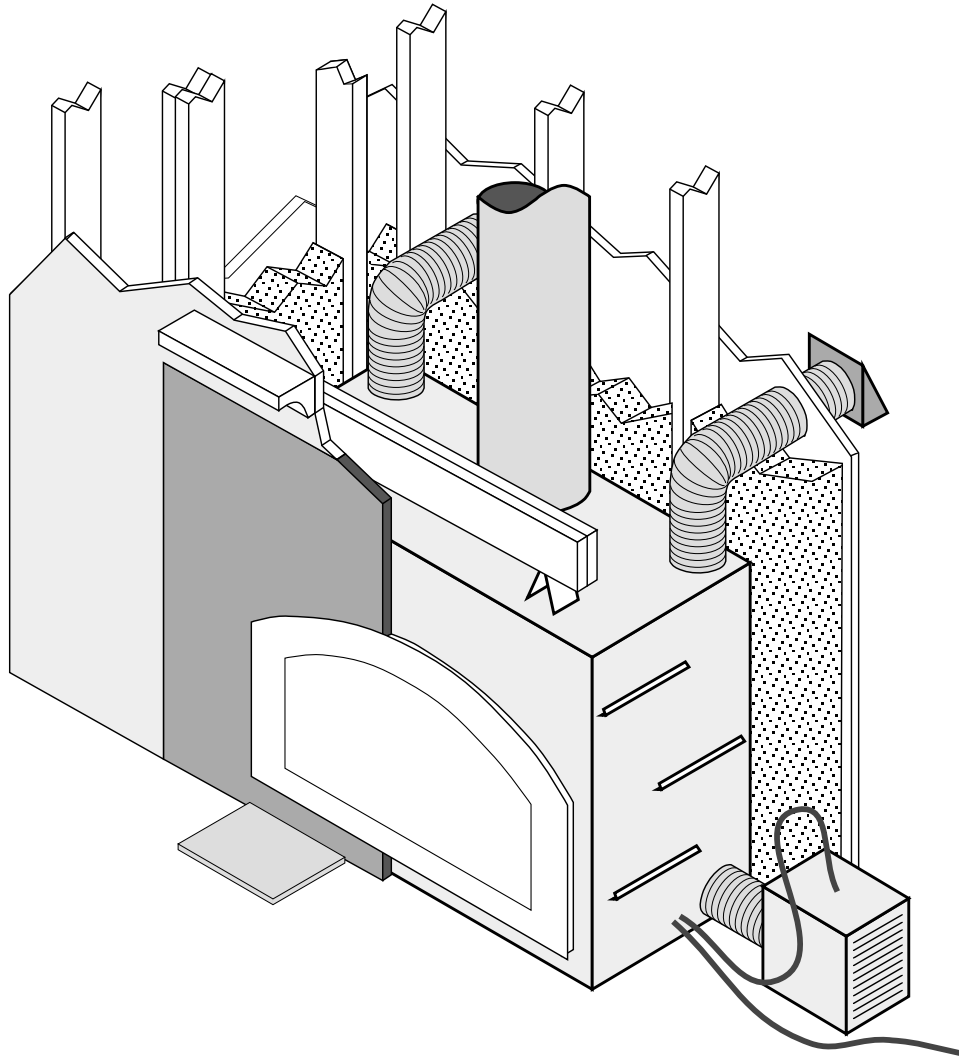




FIREPLACE XTRODINAIR™

Imagine a Fireplace for Every Room



44 Elite Installation Manual



**TRAVIS INDUSTRIES
HOUSE OF FIRE**

4800 Harbour Pointe Blvd. SW
Mukilteo, WA 98275

Wood-Burning
Zero-Clearance
Fireplace

© 2007, Travis Industries

\$10.00 93508093

Tested and Listed by



OMNI-Test Laboratories, Inc.
Beaverton, Oregon
Report # 028-F-61-4

U.L. 127 & portions of 1482 & 907

Overview

This manual details the installation requirements for the 44 ELITE wood-burning fireplace. For operating and maintenance instructions, refer to the 44 ELITE Owner's Manual (part # 93508094).

Listing Details

This appliance was listed by OMNI Test Labs to U.L. 127 and portions of U.L. 1482 and 907 – report number 028-F-61-4. The listing label is attached to the base of the fireplace and can be viewed by removing the faceplate (see Figure 1 below).

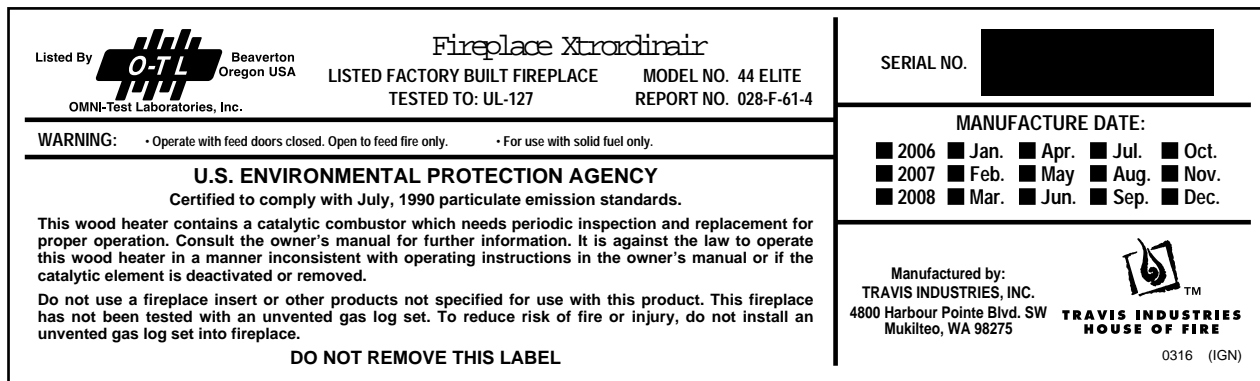


Figure 1

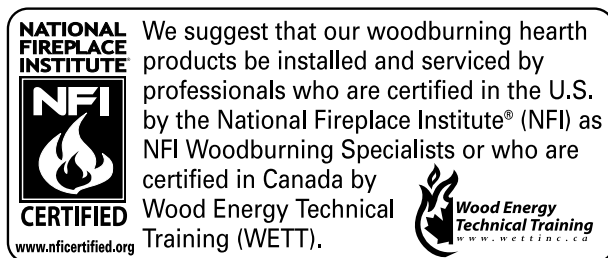
IAS (ICBO) Approval

This appliance was listed by OMNI Test Labs – IAS (ICBO) # TL-130.

EPA Approval

This appliance has been EPA Phase 2 certified (2.5 grams per hour).

National Fireplace Institute



Introduction

Overview.....	2
Listing Details.....	2

Safety Precautions

Installation Warnings.....	4
Operating Warnings.....	4

Features and Specifications

Installation Options.....	6
Heating Specifications.....	6
Dimensions.....	6

Installation

Packing List.....	6
Items Shipped with the Faceplate.....	6
Items Shipped with the Door(s).....	6
Installation Overview.....	7
Recommended Order of Installation.....	7
Installation Requirements for Cold Environments.....	8
Negative Pressure Warning.....	9
Fireplace Placement Requirements.....	10
Minimum Framing Dimensions.....	10
Framing Dimensions at 45°.....	10
Fireplace Placement.....	11
Clearances.....	12
Raised Fireplaces.....	12
Cooling Vent Requirements.....	13
Blower Requirements.....	14
Blower Duct Routing.....	14
Blower Duct Connection.....	15
Blower Electrical Connection.....	15
Chimney Requirements.....	16
Approved Chimney Brands.....	16
Chimneys Part Numbers.....	16
Chimney Installation.....	16
Chimney Height.....	17
Offset Requirements (30° Elbows).....	18
Chimney Clearances to Combustibles.....	19
Firestops.....	20
Framing the Roof.....	20
Chimney Termination Requirements.....	21
Facing Requirements.....	22
Mantel Requirements.....	24
Hearth Requirements.....	25

Finalizing the Installation

Remove Set-Up Face.....	26
Prepare the Firebox.....	27
Install the Faceplate Insulation.....	28
Faceplate Installation.....	29
Switchplate Installation and Blower Check.....	30
Door Installation.....	31
Door Installation.....	31
Door Latch Adjustment.....	31

Index

Index.....	32
------------	----

Installation Warnings

- Read this entire manual before installing the fireplace.
- Failure to install this fireplace in accordance with all local codes and the requirements listed in this manual may result in property damage, bodily injury, or even death.
- Notify your insurance company before installing this fireplace.
- The requirements listed below are divided into sections. All requirements must be met simultaneously. The order of installation is not rigid – the qualified installer should follow the procedure best suited for the installation.
- Modifications of the fireplace (doors, blower, air inlet systems, damper control, or any other component supplied by Travis Industries) or use of any component part not approved by Travis Industries in combination with this fireplace system will void the listing and warranty.
- This fireplace is not approved for use in a mobile home.
- **Travis Industries, Inc. grants no warranty, implied or stated, for the installation or maintenance of your heater, and assumes no responsibility of any consequential damage(s).**

Operating Warnings

- **WARNING: FIREPLACE SHOULD BE OPERATED ONLY WITH DOORS FULLY OPEN OR DOORS FULLY CLOSED. IF DOORS ARE LEFT PARTLY OPEN, GAS AND FLAME MAY BE DRAWN OUT OF THE FIREPLACE OPENING, CREATING RISKS OF BOTH FIRE AND SMOKE.**
- **Creosote – Formation and Need for Removal**
When wood is burned slowly it produces tar and other organic vapors which combine with expelled moisture to form creosote. The creosote vapors condense in the relatively cool chimney flue of a slow-burning fire. As a result, creosote residue accumulates on the flue lining. When ignited this creosote makes an extremely hot fire.
The chimney shall be inspected at least twice a year during the heating season to determine when a creosote buildup has occurred.
When creosote has accumulated it shall be removed to reduce the risk of a chimney fire.
- Never use gasoline, gasoline-type lantern fuel, kerosene, charcoal lighter fluid, or similar liquids to start or 'freshen up' a fire in this fireplace. Keep all such liquids well away from the fireplace while it is in use.
- **Disposal of Ashes**
Ashes should be placed in a metal container with a tight-fitting lid. These closed container of ashes should be placed on a noncombustible floor or on the ground, well away from all combustible materials, pending final disposal. If the ashes are disposed of by burial in soil or otherwise locally dispersed, they should be retained in the closed container until all cinders have thoroughly cooled.
- Do not use a fireplace insert or other products not specified for use with this fireplace.
- Do not poke or stir the logs while they are burning. Use only firelogs that have been evaluated for the application in fireplace and refer to firelog warnings and caution markings on packaging prior to use. Do not use firelogs that contain anything other than wood.

Installation Options

- Residential (not approved for HUD Mobile Homes)
- Straight or Corner Placement
- Flush or Recessed Face
- Raised or Floor Placement
- Raised or Floor Hearth
- Internal or External Chase
- 3 Blower Duct Locations
- 2 Electrical Connection Locations

Heating Specifications

Approximate Heating Capacity (in square feet)*.....	Up to 3,000
Maximum Burning Time	Up to 12 Hours
BTU Output per Hour (Cord Wood Method	10,700 to 76,700

* Heating capacity will vary with floor plan, insulation, and outside temperature.

Dimensions

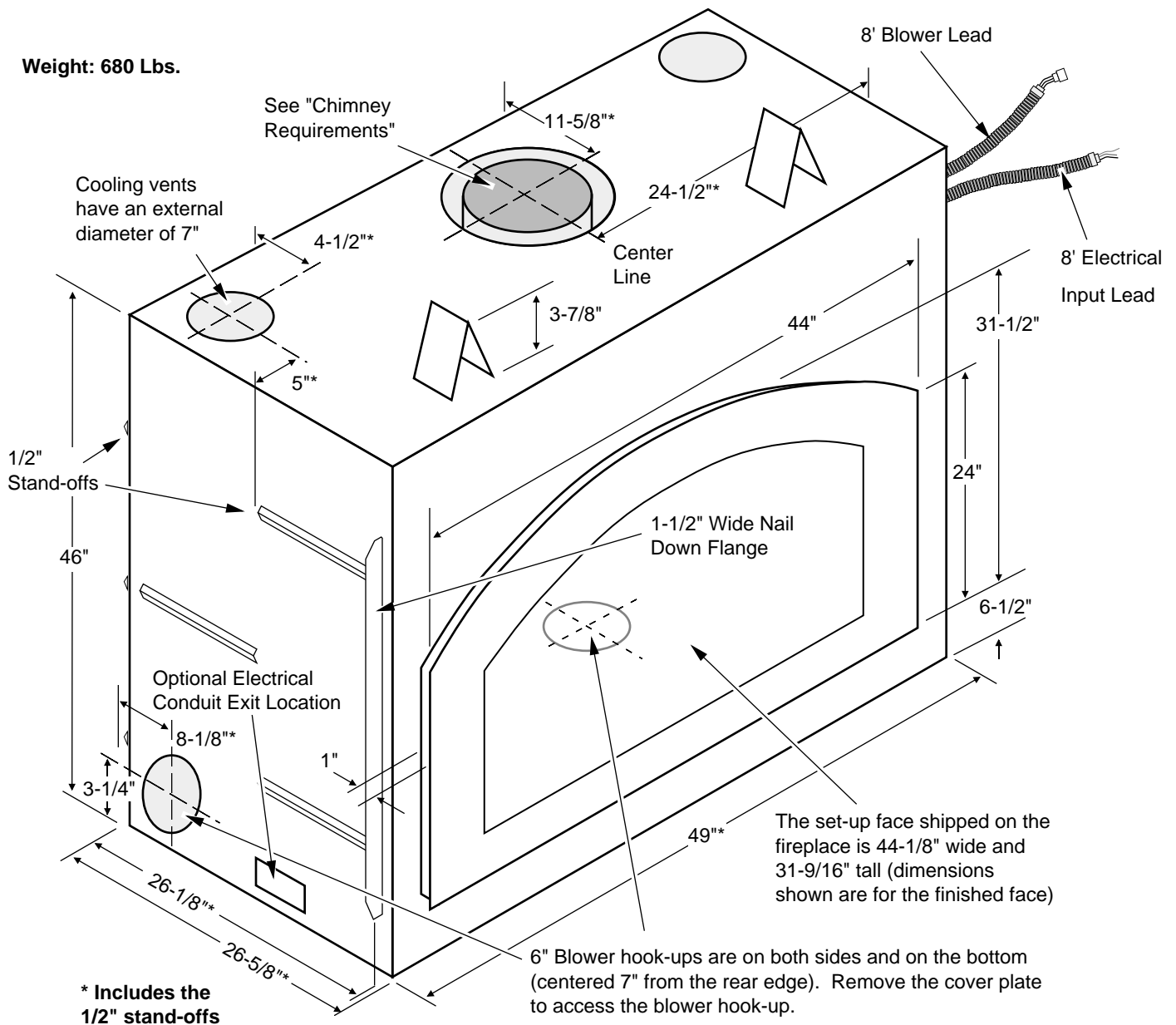


Figure 2

Packing List

- Grate
- Baffle
- Blower Assembly
- Ember Strip
- Log Retainer (includes hex wrench & instructions)
- Flex Duct w/ start collar – 3' Length, 6" Diameter (For Blower)
- Two 10' Flex Ducts, 7" Diameter (For Cooling Vents)
- Two Vent Hoods (For Cooling Vents)
- Two Vent Hood Storm Collars (For Cooling Vents)
- Faceplate Gasket

Items Shipped with the Faceplate

- Faceplate (two switch plate screws are attached)
- Switch Plate (includes blower rheostat)
- 10 Faceplate Screws

Items Shipped with the Door(s)

- Owner's Manual
- Installation Hardware Pack
- Pair of Gloves
- Efficiency and Registration Cards
- Touch-up Paint

Installation Overview

- All requirements below must be met.

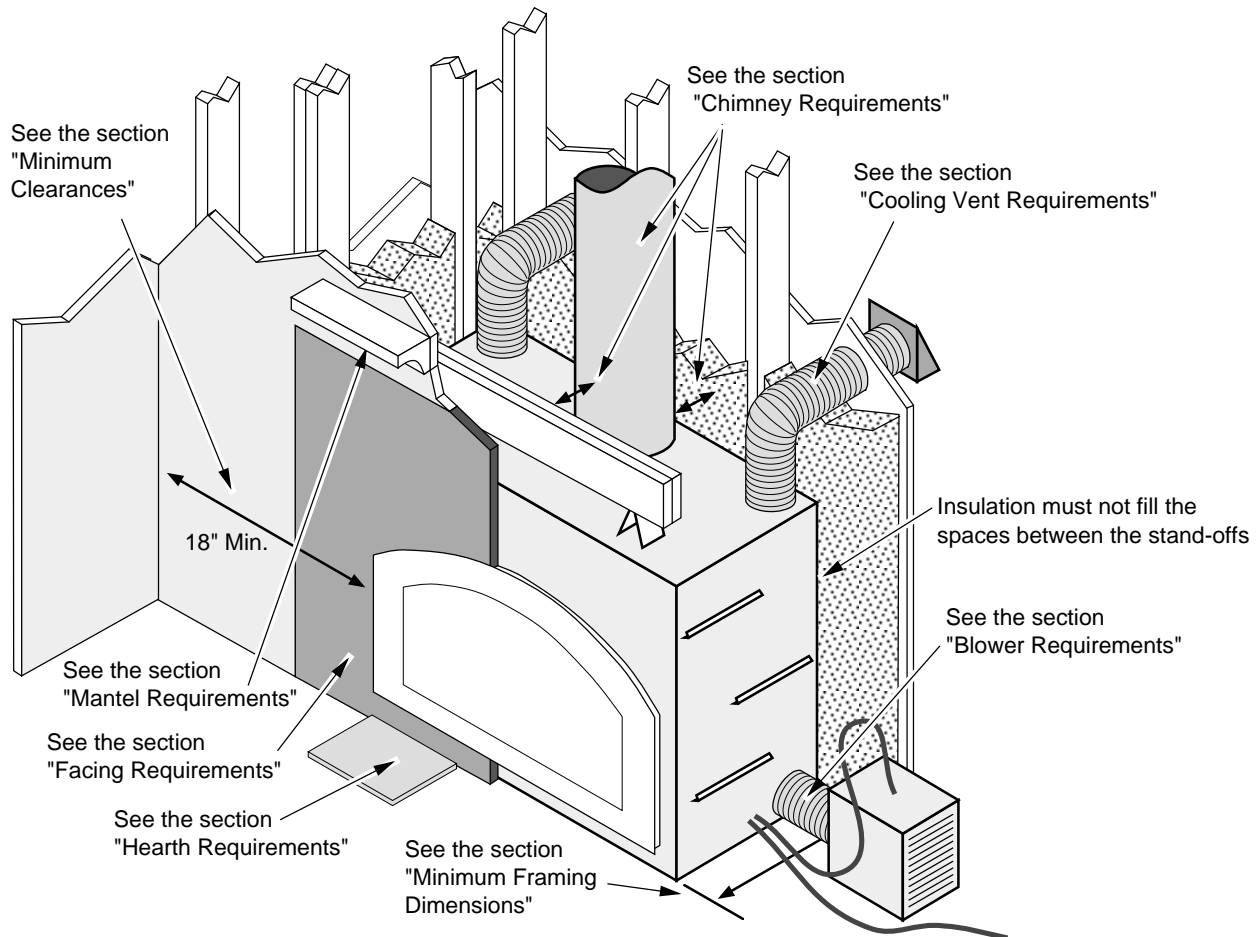


Figure 3

Recommended Order of Installation

- Frame the opening for the fireplace. Make sure to allow for vent, blower, and cooling vent installation.
- Secure the fireplace to the floor.
- Install the vent, blower, cooling vents, and electrical hook-up.
- Complete the framing above the fireplace.
- Install the hearth.
- Install the facing.
- Install the mantel.
- Finalize the installation (see the instructions starting on page 26).

Installation Requirements for Cold Environments

If you live in the area depicted in black (see Figure 4), you must install a cooling air “P” trap as detailed below and install the blower on an internal wall. In addition, make sure the homeowner follows the requirements shown below to help minimize cold air being pulled into the fireplace when it is not in use.



Figure 4

Install the Blower in an Internal Location

In cold environments the blower must be positioned on an internal wall (see Figure 5). This eliminates any chance of any outside air being drawn into the convection chamber from the blower location.

NOTE: Do not place the blower inside a garage or other area that may circulate fumes.

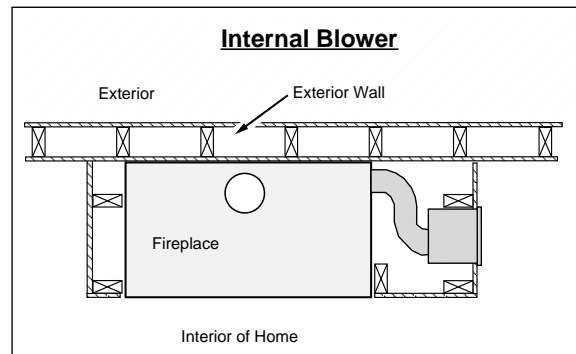


Figure 5

Cooling Air “P” Trap

When installing the cold air ducts, make sure to include a “P” trap in the design (see the illustration to the right). This helps slow cold air from circulating through the cooling air chamber.

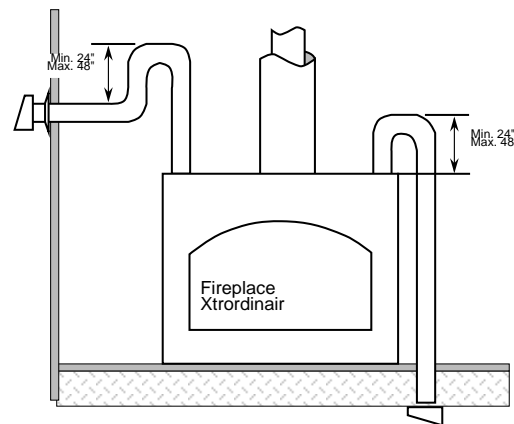


Figure 6

Daily Requirements for Homeowners

Humidity

Make sure the humidistat is set correctly. The chart below details the correct setting for the temperature you are experiencing outdoors.

Outdoor Temperature		Recommended Humidity Controller Setting
°F	°C	
-20	-29	15
-10	-23	20
0	-18	25
+10	-12	30
+20	-7	35
>+20	>-7	40

Note: If using a humidifier, let the homeowner know that it should be shut off or turned to a lower setting to eliminate condensation.

Other Items

- Make sure the bypass is shut when the fireplace is not in use.
- Minimize the use of exhaust fans in the home when the fireplace is not in use.

Negative Pressure Warning

The Fireplace Xtordinaire wood fireplace relies upon natural convection to supply cooling air to the fireplace. If installed into a house experiencing negative pressure, air may be pulled into the fireplace. This leads to the face becoming cold while the fireplace is not in use, and in severe cases, air being pulled into the room.

What Causes Negative Pressure

Today's air-tight homes are not 100% air tight. If air leaks are found at the top of the home enclosure, air may be pulled through the home due to convection (the warmer air moves upwards, leaving the home, causing air to be pulled into the home from different location). See Figure 7 below.

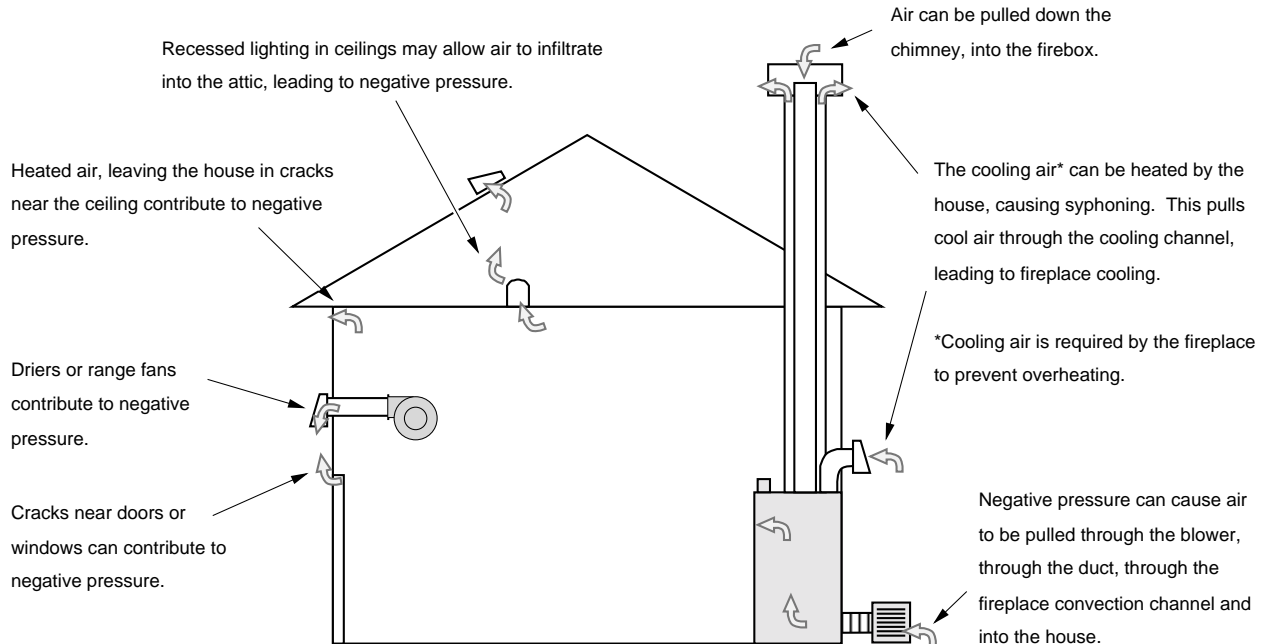


Figure 7

How to Measure Negative Pressure

Digital pascal meters (also called "pressure meters", digital "manometers") can measure negative pressure readings inside a home. They typically cost around \$600. They measure pascals (1 pascal is equal to .004" Water Column). Typical homes have 0 to -1 pascals. Homes with negative pressure have -2 or more (we have measured homes with upwards of -8 pascals). We strongly recommend measuring the pressure in homes suspected of encountering negative pressure. This allows the homeowner, and fireplace installer, to view an objective measurement.

How to Remedy Negative Pressure

The only proven method to reduce negative pressure is to install an "air exchanger". This device allows outside air to enter the home after going through a "heat exchanger" to minimize cold infiltration.

Fireplace Placement Requirements

Minimum Framing Dimensions

- The fireplace enclosure must not be less than 81" above the base of the fireplace.
- If the fireplace is raised, the enclosure height must be raised to maintain the 81".
 - Do not build into this area.
 - Do not slope the walls inward.

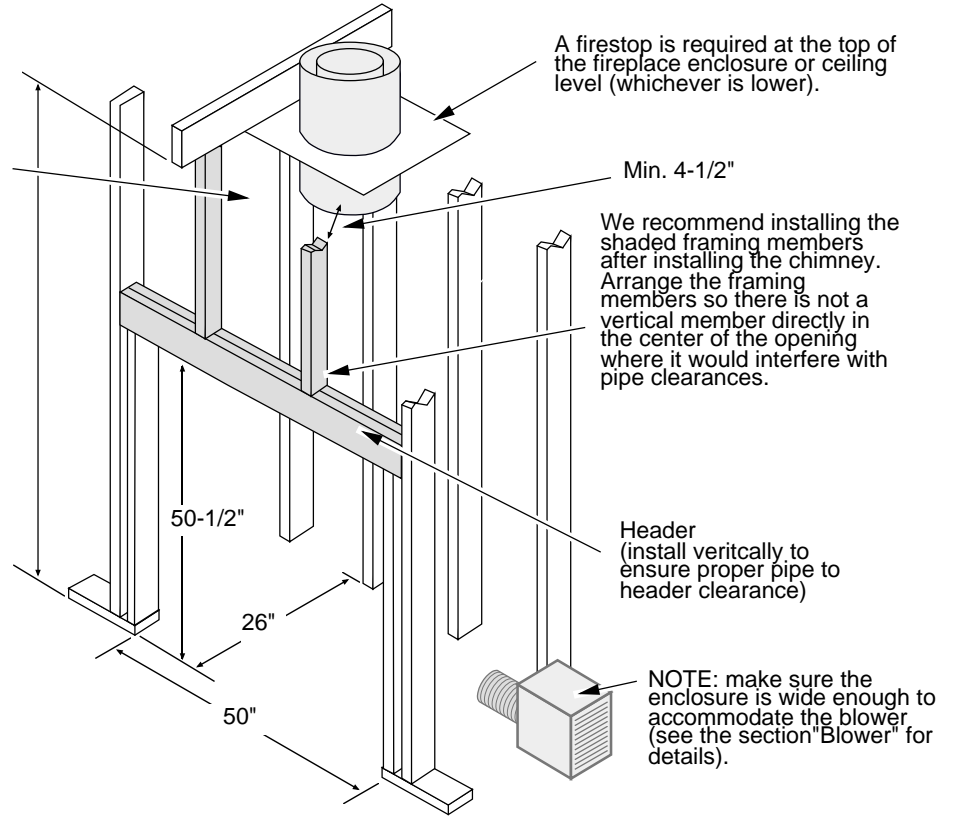


Figure 8

Framing Dimensions at 45°

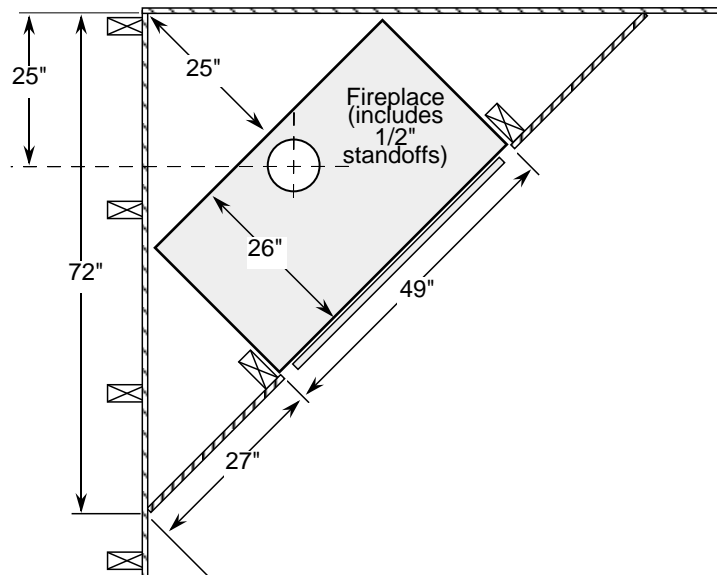


Figure 9

Fireplace Placement

- The fireplace must be secured to the floor (use the lifting handle brackets - see Figure 10).

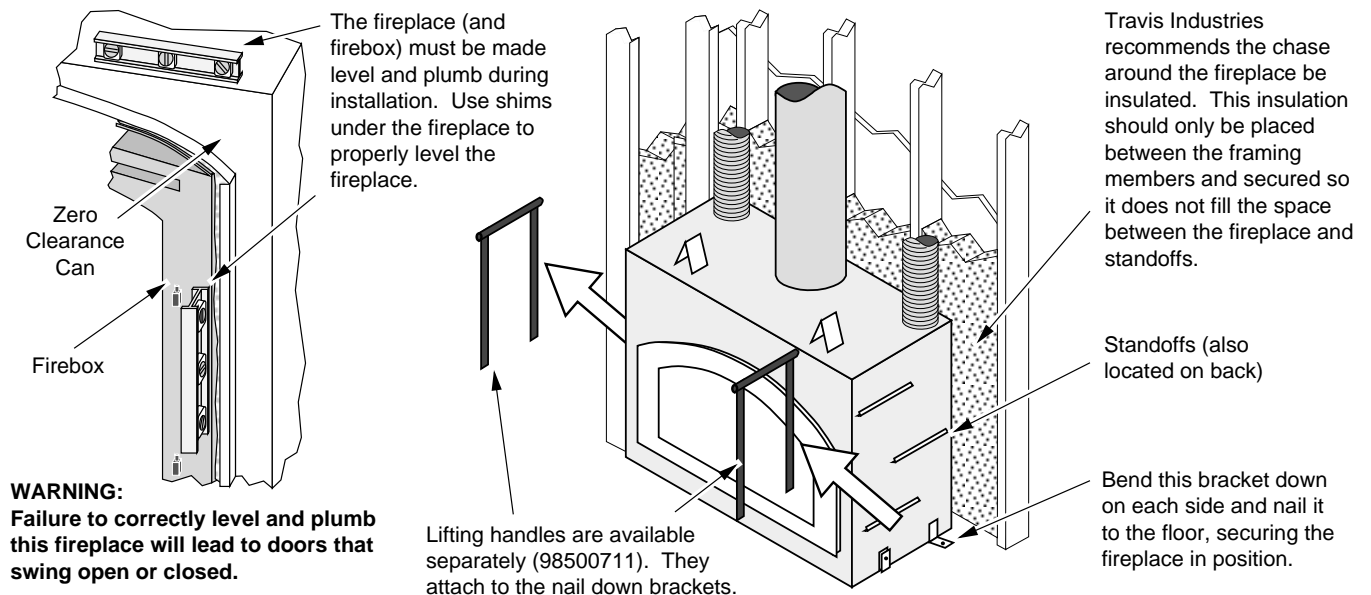


Figure 10

- Fireplace must be placed directly on wood or non-combustible surface (not on linoleum or carpet)
- Fireplace must be installed on a level surface capable of supporting the fireplace and chimney
- Place the ember strip included with the fireplace below the front edge of the fireplace (see Figure 11).

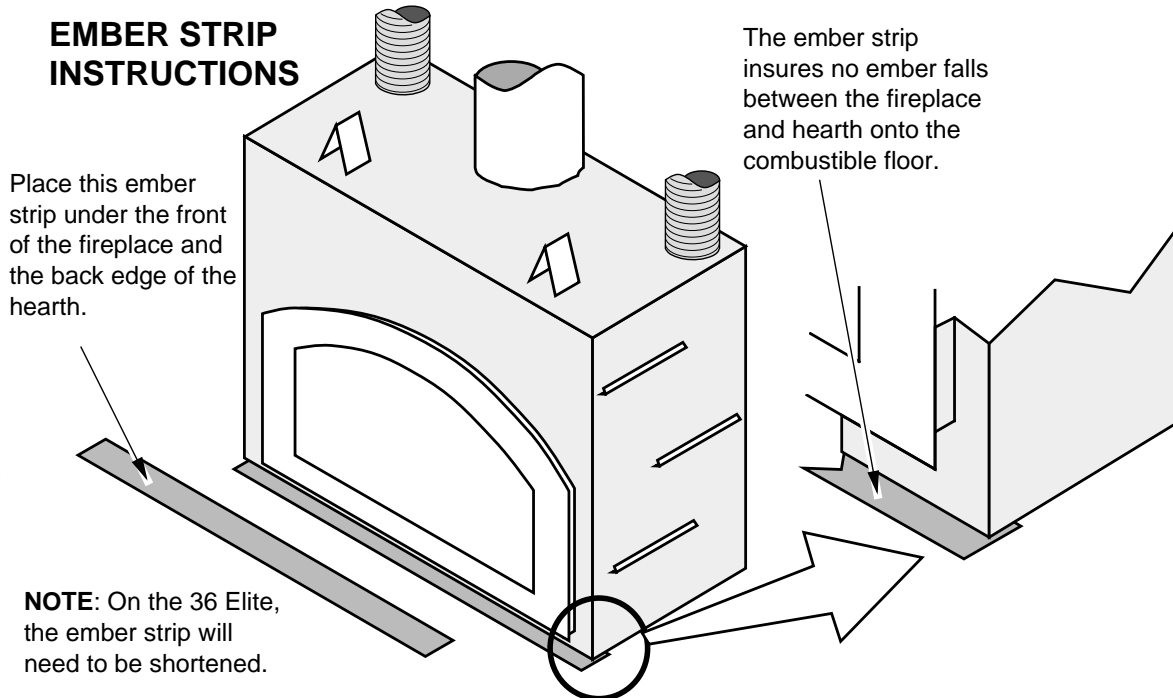


Figure 11

Clearances

- The fireplace uses 1/2" standoffs on the back and sides and 4" stand-offs on the top to space the fireplace away from framing members or walls. These stand-offs may contact the framing members or walls but do not place insulation or other material in the space between the stand-offs and fireplace.
- When installed, walls in front of the fireplace must be a minimum 18" to the side of the faceplate (15-1/2" from the side of the fireplace). See Figure 3 on page 7.
- Fireplace should be located such that no doors, drapes, furniture or other combustibles can be placed close or swing closer than the minimum 36" clearance. Due to the high heat output of this fireplace, choose a location away from high traffic areas.
- Fireplace must be placed so the vents below and above the glass do not become blocked.

Raised Fireplaces

- If the fireplace is raised, the fireplace enclosure must be raised as well (minimum 81" enclosure height from base of fireplace see Figure 8).
- The fireplace (and hearth, if desired) may be placed on a platform designed to support the fireplace and vent (approximately 600 lbs.). See Figure 12.

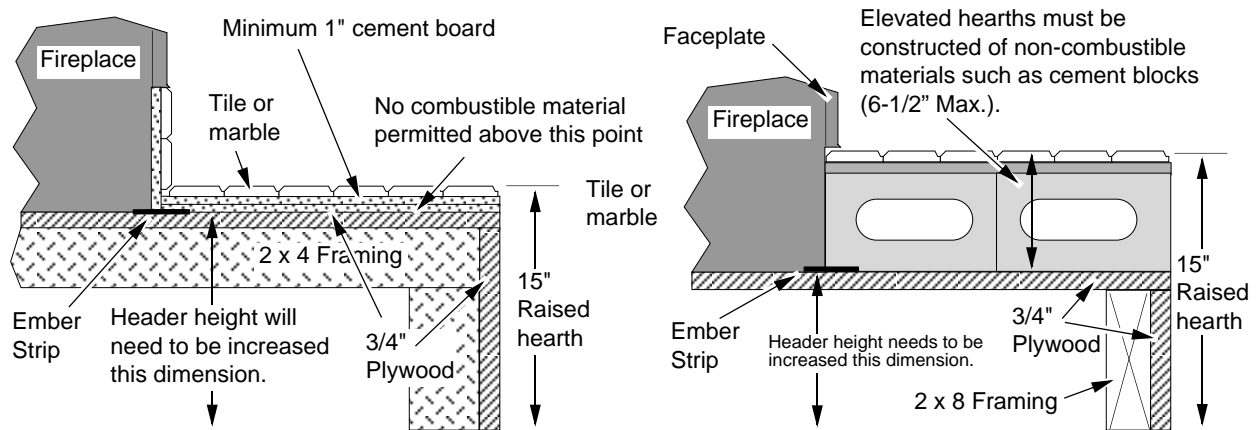


Figure 12

Cooling Vent Requirements

WARNING: The cooling vents provide cooling air for the fireplace and chimney system. Failure to correctly install the cooling vents will lead to an extremely dangerous installation and possibly a fire.

- The two cooling vents must be installed so as to route air from the outside to the two starter collars on the top rear corners of the fireplace. Secure the vents to the collars using high-temperature aluminum tape and/or sheet metal screws.
- A maximum of two 90° bends may be used on each vent. However, if a 180° bend is placed directly above the starter collar, one additional 90° bend may be used (see Figure 13).
- The maximum distance for the cooling ducts is listed below:

When the vertical rise is between:	The maximum horizontal run may be:
6' and 10' (max)	5'
3' and 6'	15'
1' and 3'	20'
0' and 1'	25'

- Included with the fireplace are two 12' lengths of vent, use a connector and seal if adding more length
- The duct terminations must be located so they can not be blocked (e.g. snow drifts)

- Included with the fireplace is a set of storm collars and vent hoods. Place the collars around the vent on the exterior and attach with screws or caulking to seal the wall from the vent penetration. Place the hood, with open portion facing down, over the cooling vents and secure.

- The cooling air duct terminations may be installed to draw air from a ventilated crawl space or attic if approved by local building codes. **NOTE:** certain codes require a fire curtain damper in these cases.

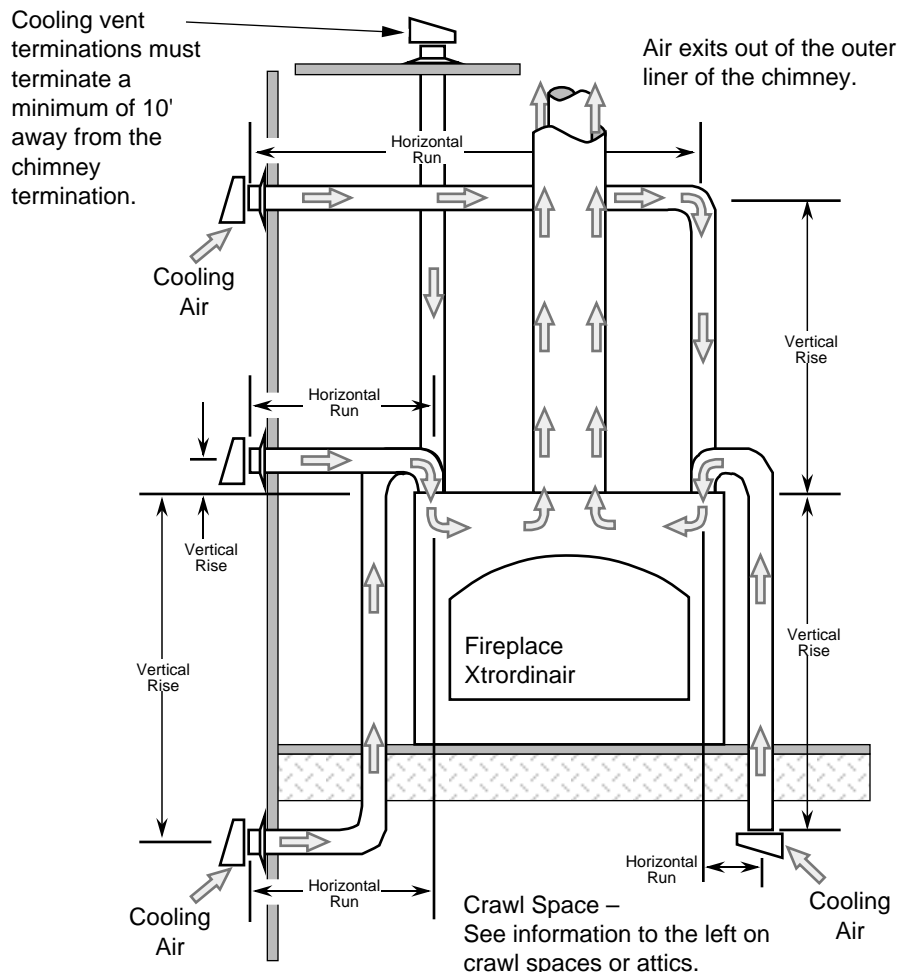


Figure 13

Blower Requirements

The required blower pushes air through blower duct to the fireplace, where it is heated and distributed into the room.

Blower Duct Routing

- The blower may be located to draw air from the interior or exterior of the home (see Figure 14).

NOTE: For cold environments, it must be located on the interior (see page 8).

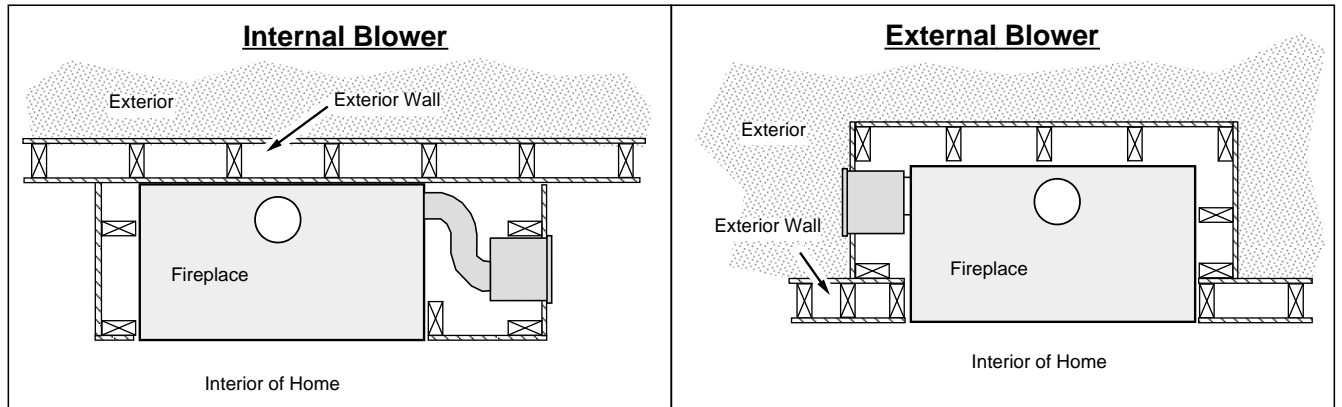


Figure 14

- The maximum length for 6" diameter blower duct is 15' (use the included duct & start collar).
- The maximum length for 8" diameter blower duct is 25' (use two 6" to 8" adapters).

NOTE: The shorter the blower duct, the greater the air flow.

- A maximum of two 90° bends may be used.
- The blower, if located on an external wall, must be weatherproofed (see Figure 15). Remove the blower cover and install the blower. Apply caulk around the perimeter of the blower housing where it contacts the external wall and vapor barrier (apply sparingly). Replace the blower cover.

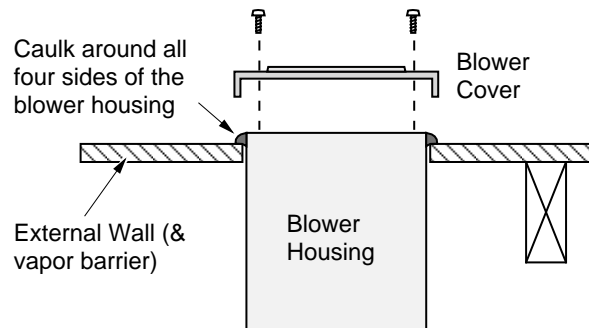


Figure 15

- The blower may be installed to draw air from a crawl space or attic if approved by local building codes (see Figure 16). **NOTE:** certain codes require a fire curtain in these cases.
- Do not draw air from confined areas or from a garage or area containing fumes or emissions. The blower inlet must be a minimum 36" below any exhaust vent.

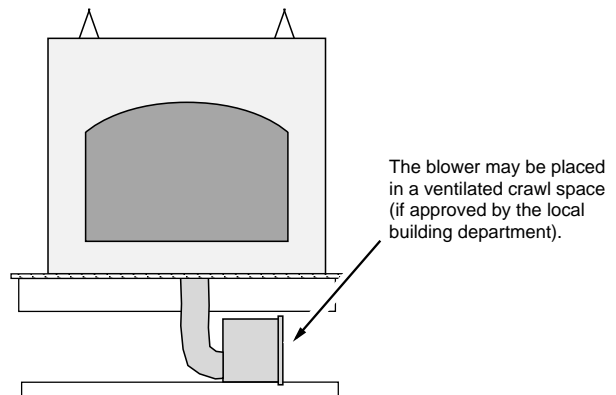


Figure 16

Blower Duct Connection

- Connect the blower duct to the right, left, or bottom of the fireplace. Each location is sealed with a cover plate. If using the bottom location, remove the 8-1/2" by 6-1/4" air deflector directly above the cover plate and attach the duct to the 6" hole above the deflector. Insert the starter section into the blower hook-up hole and bend the locking tabs outwards, locking the starter section in place (see Figure 17).

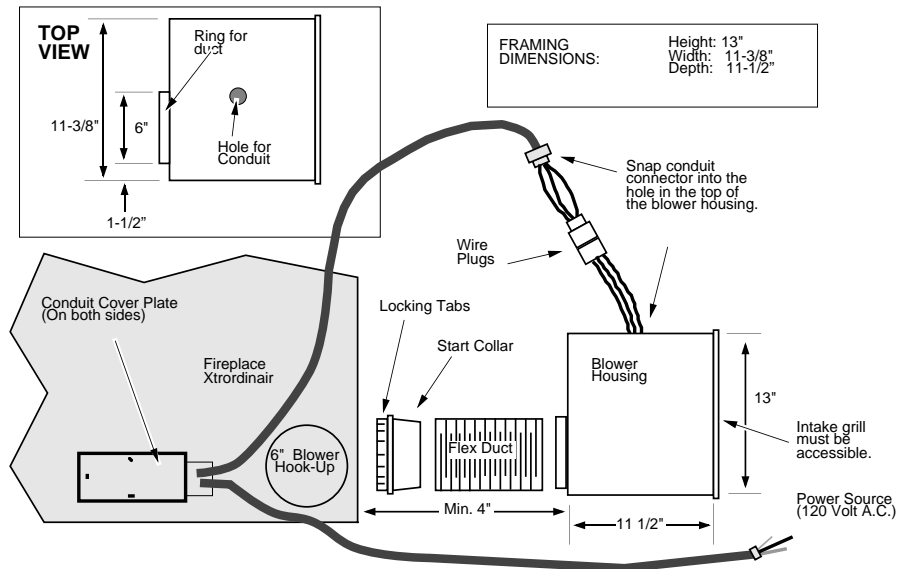


Figure 17

- Use duct tape and/or screws to attach the flex duct to the starter collar and blower box.
- The blower utilizes a filter that requires periodic cleaning (see Figure 18). Show the homeowner the blower location and inform them of the need to clean periodically.

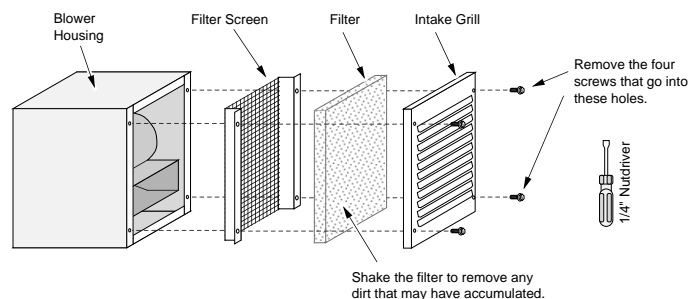


Figure 18

Blower Electrical Connection

- Connect the electrical supply lead conduit to a 120 Volt, 60 Hz (2 Amp) electrical supply. Use a junction box to protect the electrical connection (see Figure 17).
- Connect the blower conduit to the blower box by attaching the two molex connectors together. Insert the molex connectors into the blower box. Then attach the conduit to the blower box by inserting it into the top until it snaps in place (see Figure 17).
- Do not run either conduit over the top of the fireplace or within 2" of the chimney
- If the blower or power supply is located to the left, the electrical conduit(s) may be directed to the left side of the fireplace. To do this, remove the conduit cover plate on both sides of the fireplace. Feed the conduit(s) through the hole on the right side and out the left side (removing the cover allows the conduit to be fed through without kinking). Switch the cover plates by attaching the right cover plate to the left side and vice-versa.

Chimney Requirements

Approved Chimney Brands

- Use one of the following brands and type of chimney:
 - Temco 82
 - Firecraft FTF8 (Superior TF8)
 - FMI 8DM
 - Marco 8D

Chimneys Part Numbers

Chimney Components	Temco 82	Firecraft FTF8	FMI 8DM	Marco 8D
12" Chimney Section	8212D	TF8-12	12-8DM	12 - 8D
18" Chimney Section	8218D	TF8-18	18-8DM	18 - 8D
24" Chimney Section	8224D	---	24-8DM	----
36" Chimney Section	8236D	TF8-36	36-8DM	36 - 8D
48" Chimney Section	8248D	TF8-48	48-8DM	48 - 8D
Offsets	8232E	TF8-30, TF8-E30	30E-8DM	30E - 8D
Flashing	8206F	8-F6	6F8 or 12F8	12F - 8D
Chimney Cap	8203D	TF8-CTO	RTL-8DM	BT - 8D
Roof Support	8204S	8-54	38 RS	12CPS - 8D
Firestop Spacer	---	8FS-2	FS-8DM	FS30 - 8D

Chimney Installation

- Each brand of chimney has a slightly different outside diameter. To accommodate this, the fireplace has three "L" brackets (outer liner connectors) on the top of the fireplace can. Center a section of chimney over the chimney opening and mark the exterior location of the chimney. Reposition the "L" brackets, if necessary, so they are adjacent the exterior of the chimney (see Figure 19).

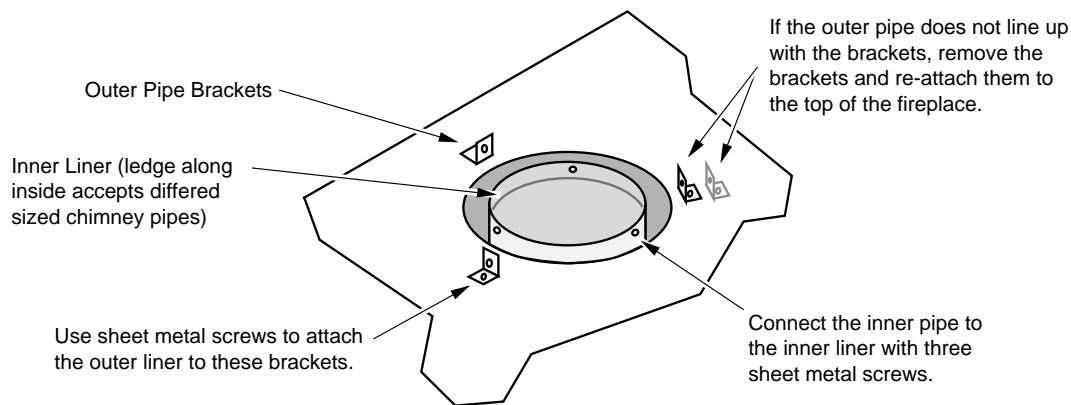


Figure 19

- When attaching the chimney to the fireplace, first slide down the inner liner of the chimney pipe into the inner liner of the fireplace. Certain brands of chimney pipe will stop at the ledge, while others will insert beyond the ledge. When the chimney pipe is fully seated and aligned, drill three holes in the chimney pipe where it lines up with the holes in the fireplace inner liner. Secure the fireplace to the chimney pipe with three sheet metal screws. If there are any large gaps between the chimney pipe and fireplace, use furnace cement to seal (allow 24 hours to dry before burning the fireplace).
- Depending on the manufacturer and where the chimney is to be installed, chimney supports, roof braces, radiation shields, attic insulation shields, attic enclosures, spark arrestors, locking bands, etc... may be required as part of the chimney system. The manufacturer's installation instructions, which are reviewed by the listing agency, specifies when and where each of these components must be used. Follow the manufacturer's instructions for the use of flashing and an adjustable storm collar at the roof line to prevent water from entering the house. Manufacturers require that chimneys extending beyond a certain height above the roof (frequently above 5') must also be braced.

Chimney Height

- Minimum 15' system height (measured from the base of the fireplace)
- Maximum 35' system height (measured from the base of the fireplace)

NOTE: In some problematic situations, additional chimney height above the specified minimum may be necessary to reduce wind-induced down drafting and back puffing, or to increase draft, thereby improving fireplace operating characteristics.

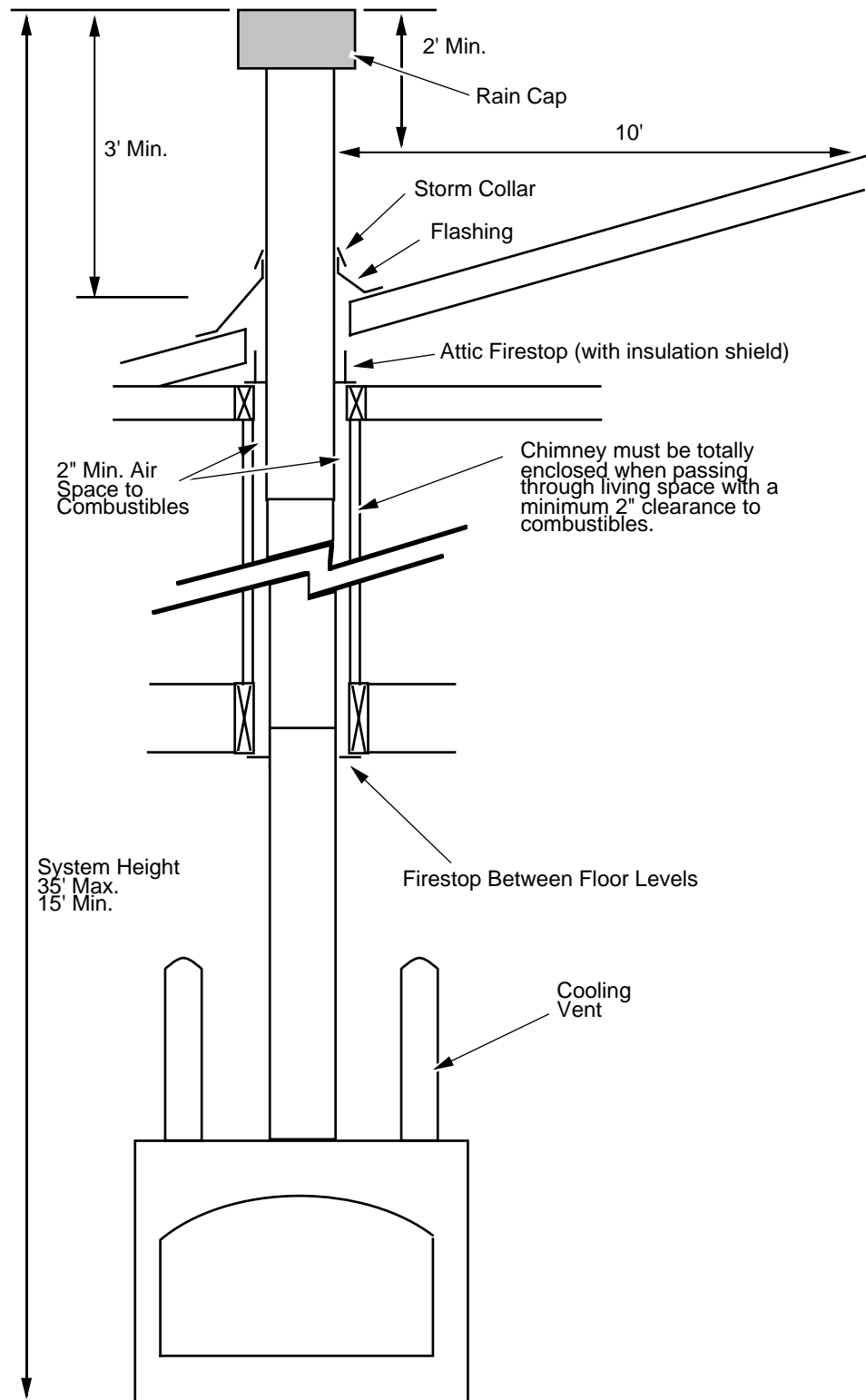


Figure 20

Offset Requirements (30° Elbows)

- Offsets (using a pair of 30° elbows) may be used to redirect the chimney. Typically this is done to avoid structures, align the pipe with framing, or to gain clearance to combustibles (see Figure 22).
- A maximum four 30° elbows may be used.
- Each elbow must be used in conjunction with a return elbow (so the chimney returns to a vertical direction)
- If using a single offset (two 30° elbows) a maximum of 8' of inclined chimney may be used between elbows.
- If using two offsets (four 30° elbows) a maximum of 4' of inclined chimney may be used between each set of elbows.
- For every 6' of inclined chimney a flue support is required
- Elbows may be used directly off the top of the fireplace (maintain a 5" clearance to combustibles on the back wall, 4 1/2" minimum on the front wall and header, and 2" minimum to the side walls)
- The table below details the amount of offset ("X") and rise ("R") gained from various chimney lengths when used with 30° elbows (see Figure 21). Make sure to add the amounts for both elbows. Two sections may be added together to form a combined length. For example, 12" and 18" Temco chimney sections give an offset of 17-5/8" (3-7/8" + 5-3/8" + 8-3/8" = 17-5/8"). The rise ("R") equals 38-1/8" (14-3/8" + 9-1/4" + 14-1/2" = 38-1/8").

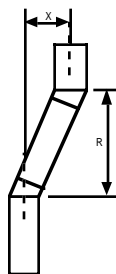


Figure 21

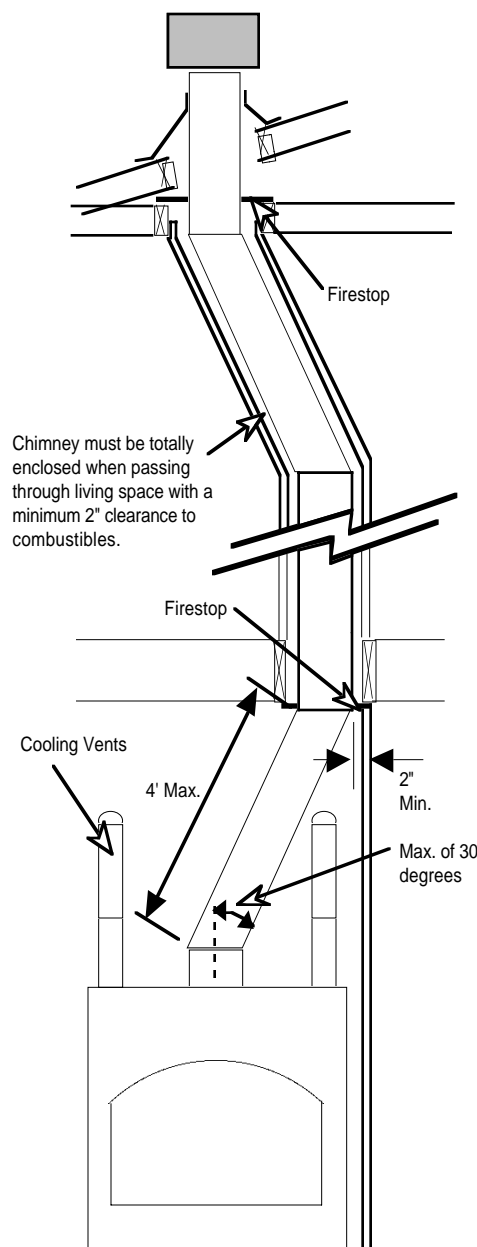


Figure 22

MEASURED IN INCHES	Temco 82 Series		Firecraft FTF8		FMI 8DM		Marco 8D	
	OFFSET	RISE	OFFSET	RISE	OFFSET	RISE	OFFSET	RISE
	"X"	"R"	"X"	"R"	"X"	"R"	"X"	"R"
2 Elbows	3 7/8	14 3/8	4	15	4 3/8	16 3/8	5 1/4	19 1/4
12" Section	5 3/8	9 1/4	5 1/4	9	5 3/8	9 1/8	5 1/4	9
18" Section	8 3/8	14 1/2	8 1/4	14 1/4	8 3/8	14 3/8	8 1/4	14 1/2
24" Section	11 3/8	19 5/8	---	---	---	---	---	---
36" Section	17 3/8	30	17 1/4	30	17 3/8	29 7/8	17 1/4	30 1/4
48" Section	23 3/8	40 3/8	23 1/4	40 1/4	23 3/8	40 1/4	23 1/4	40 1/2
Flue Support	1 1/2	2 3/8	1 1/2	2 1/2	6 3/4	11 3/4	5 1/4	9 1/4

Chimney Clearances to Combustibles

WARNING: Follow the clearances listed below - do not follow the clearances listed in the chimney instructions

- Maintain a 2" clearance from the chimney to combustibles (measured horizontally). See Figure 23.
- Use offsets, if necessary, to maintain clearances
- In the area above the fireplace before the chimney penetrates the ceiling (use a firestop), the chimney must maintain the clearances listed below:
 - 5" to the rear of the chimney
 - 4-1/2" to the front of the chimney

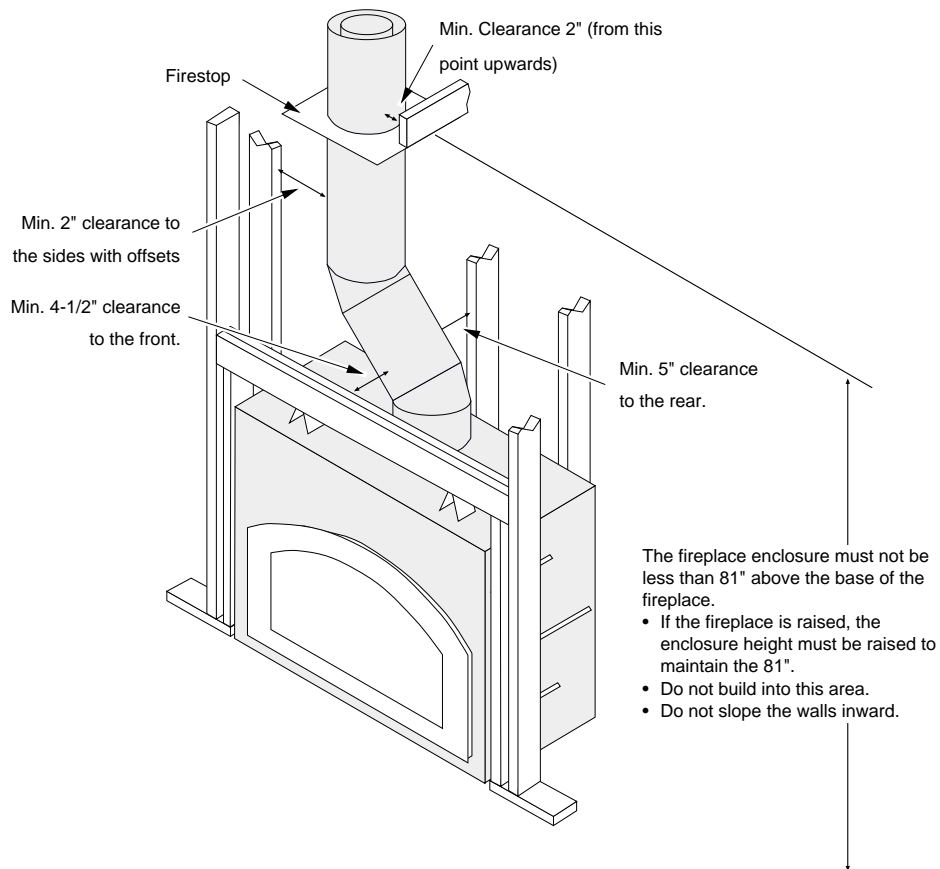


Figure 23

Firestops

WARNING: Many firestops are designed for a 1" clearance, this fireplace requires a 2" clearance.

- Whenever the chimney penetrates a floor or ceiling a firestop is required on the bottom side of the floor joists (see Figure 24).
- When passing through an attic the firestop must be placed on the attic side of the joists
- When the chimney passes through a living space it must be totally enclosed (maintain the minimum 2" clearance to combustibles)
- The space between frames that hold the firestop in place should be measured as follows:
 - Temco 16"
 - Firecraft 16 1/2"
 - FMI 16 1/2"
 - Marco 16 1/2"

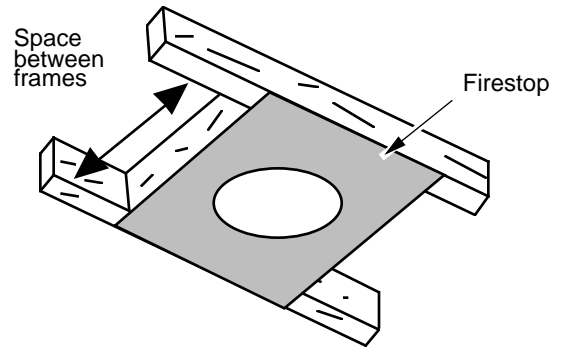


Figure 2

Framing the Roof

- Follow the manufacturer's instructions for the use of flashing and an adjustable storm collar at the roof line to prevent water from entering the house.
- The table below may be used to determine the appropriate framing size (see Figure 25). When installing into a sloped roof, it is important to determine the size of the framing for clearance purposes. Use the appropriate column for 2 x 4 or 2 x 6 rafters. It is not necessary to frame around the hole opening if the clearance to combustibles can be maintained between two rafters.

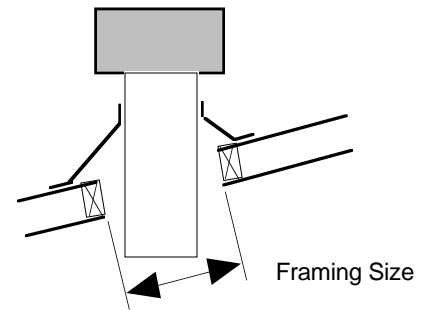


Figure 25

SLOPE	Chimney Type		Chimney Type	
	Temco (12" diameter)		Firecraft, FMI, or Marco (12-1/2" dia.)	
	2 by 4 Rafter	2 by 6 Rafter	2 by 4 Rafter	2 by 6 Rafter
0/12	16 x 16	16 x 16	16 1/2 x 16 1/2	16 1/2 x 16 1/2
1/12	16 x 16 1/2	16 x 16 5/8	16 1/2 x 17	16 1/2 x 17 1/8
2/12	16 x 17	16 x 17 1/4	16 1/2 x 17 1/2	16 1/2 x 17 3/4
3/12	16 x 17 1/2	16 x 18	16 1/2 x 18	16 1/2 x 18 1/2
4/12	16 x 18 1/4	16 x 18 7/8	16 1/2 x 18 3/4	16 1/2 x 19 3/8
5/12	16 x 19	16 x 19 1/4	16 1/2 x 19 1/2	16 1/2 x 19 3/4
6/12	16 x 19 7/8	16 x 20 7/8	16 1/2 x 20 3/8	16 1/2 x 21 3/8
7/12	16 x 20 3/4	16 x 21 1/2	16 1/2 x 21 1/4	16 1/2 x 22
8/12	16 x 21 3/4	16 x 23	16 1/2 x 22 1/4	16 1/2 x 23 1/2
9/12	16 x 22 3/4	16 x 24 1/4	16 1/2 x 23 1/4	16 1/2 x 24 3/4
10/12	16 x 23 3/4	16 x 25 1/2	16 1/2 x 24 1/4	16 1/2 x 26
11/12	16 x 25	16 x 26 3/4	16 1/2 x 25 1/2	16 1/2 x 27 1/4
12/12	16 x 26 1/8	16 x 28 1/8	16 1/2 x 26 5/8	16 1/2 x 28 5/8

Chimney Termination Requirements

- The chimney must terminate a minimum 3' above the roof and 2' above any portion within 10' (measured horizontally – see Figure 26). This applies to flat and sloped roofs.
- The chimney must have a chimney cap. A spark arrestor may be required in your area (check with the local building department).
- When using a chase to enclose a chimney, the chimney termination is not required to be 3' above the chase as long as the chase is above the roof structure. The chimney cap must still maintain the 2, 3, 10 clearance to any other structure. See the illustration below.
- Chimneys extending beyond a certain height (frequently 5') above the roof may require braces (check the instructions included with the chimney for details)

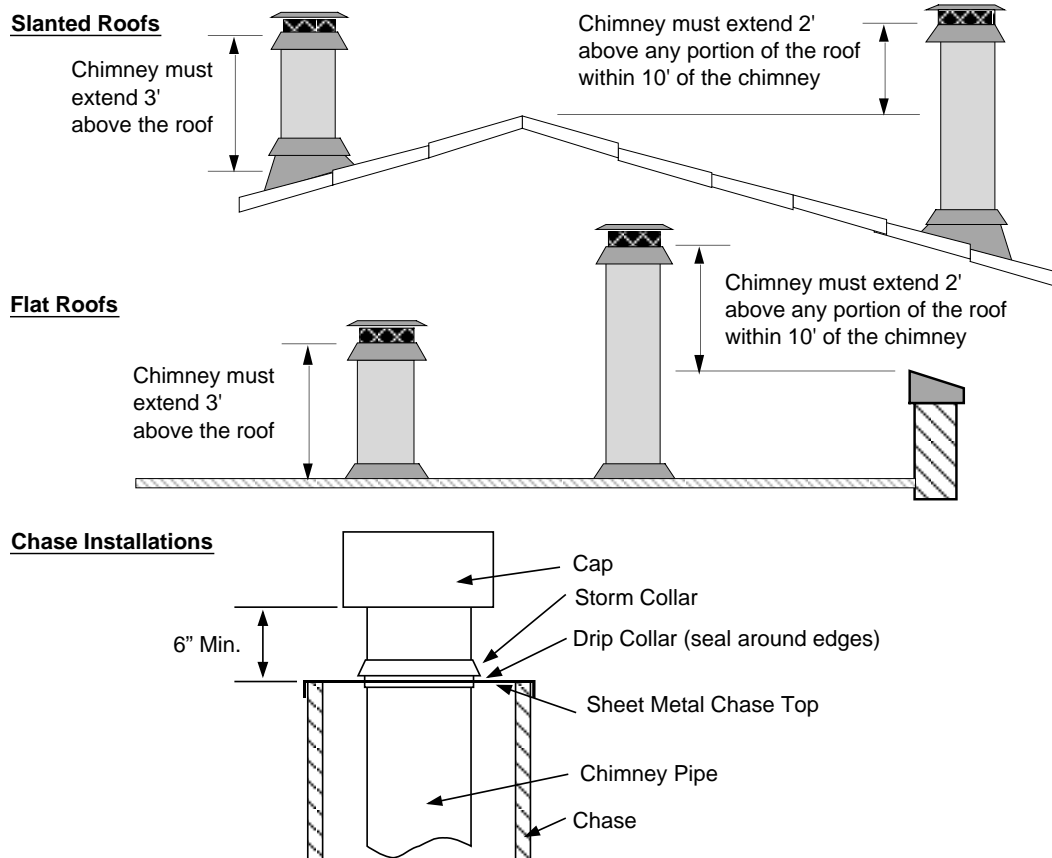


Figure 26

Facing Requirements

NOTE: Artisan faces vary in size. If the facing is over 1" thick (brick, river-rock, etc.) use the artisan face to create a template.

- The fireplace is shipped with a set-up face that is 1/8" taller and wider than the finished faceplate. This creates a 1/16" gap around the perimeter of the face when the finished face is installed. Leave the set-up face in place to act as a template when installing the facing.
- The fireplace requires 1/2" thick concrete-board or other non-combustible to extend from the header to the base of the fireplace and to the framing members on both sides (do not use sheetrock or drywall). See Figure 27.
- The non-combustible facing must extend a minimum of 12" above and 2-1/2" to each side of the faceplate.
- The non-combustible facing must be a minimum 1" thick
- Attach the cement board to the front of the fireplace with screws. Do not penetrate the fireplace more than 3/4".

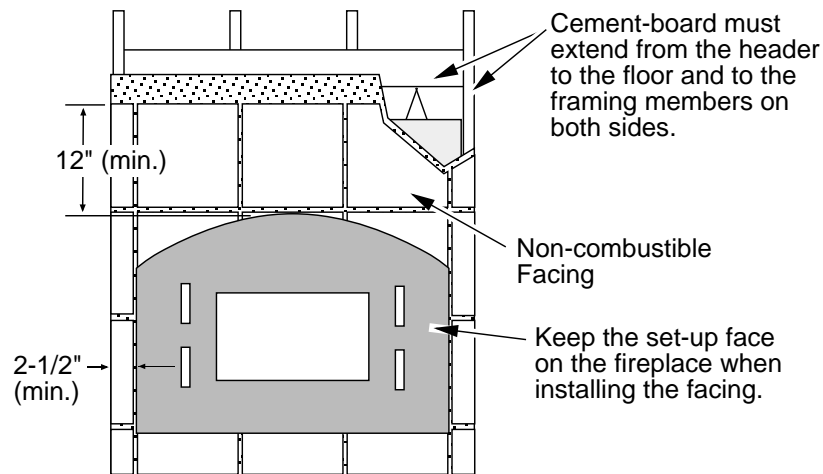


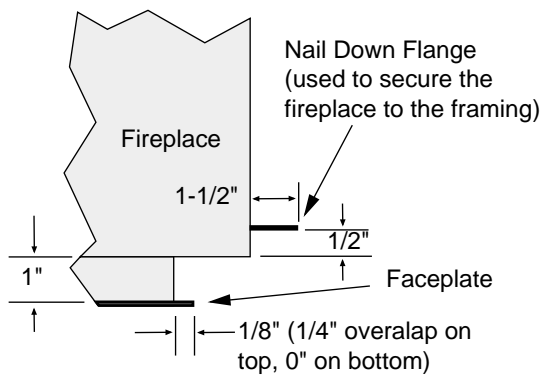
Figure 27

Facing Requirements (continued)

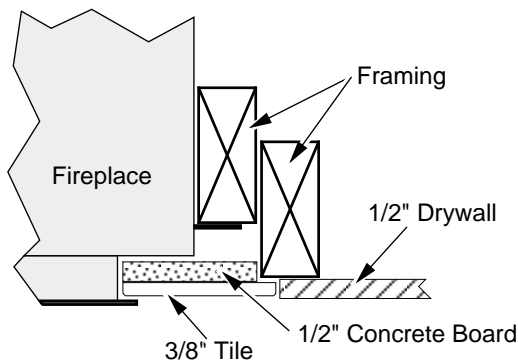
- Facing may be installed so it inserts behind the faceplate (see Figure 28). . NOTE: the faceplate protrudes 1" from the front of the fireplace, has a 1/8" overlap on the sides, and 1/4" overlap on top.
- The combustible area above the facing must not protrude more than 3/4" from the facing. If it does, it is considered a mantel and must meet the mantel requirements listed in this manual.
- To achieve a facing that is flush with the drywall to the side of the fireplace, recess the framing directly next to the fireplace (see Figure 28).

TOP VIEW

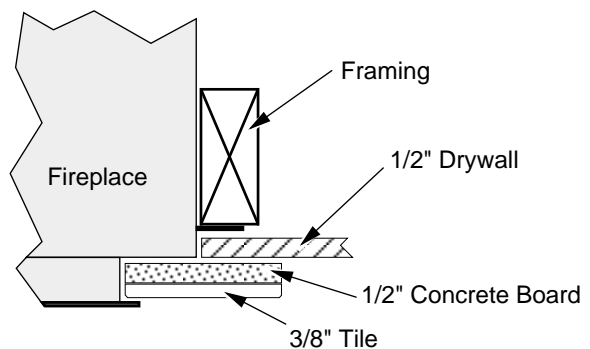
(cross section of fireplace, framing, and face)



Flush Facing



Overlapped Facing



Brick Facing

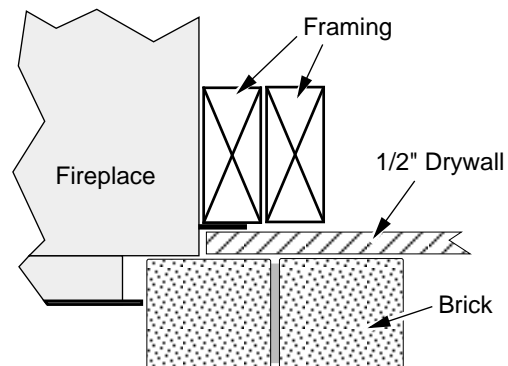


Figure 28

Mantel Requirements

- The optional mantel must be a minimum 23" above the top of the faceplate (61" above the base). See Figure 29.
- The mantel must not extend more than 8-1/2" in front of the faceplate.
- Mantel side columns that extend more than 3/4" beyond the faceplate must maintain an 18" clearance to the faceplate.

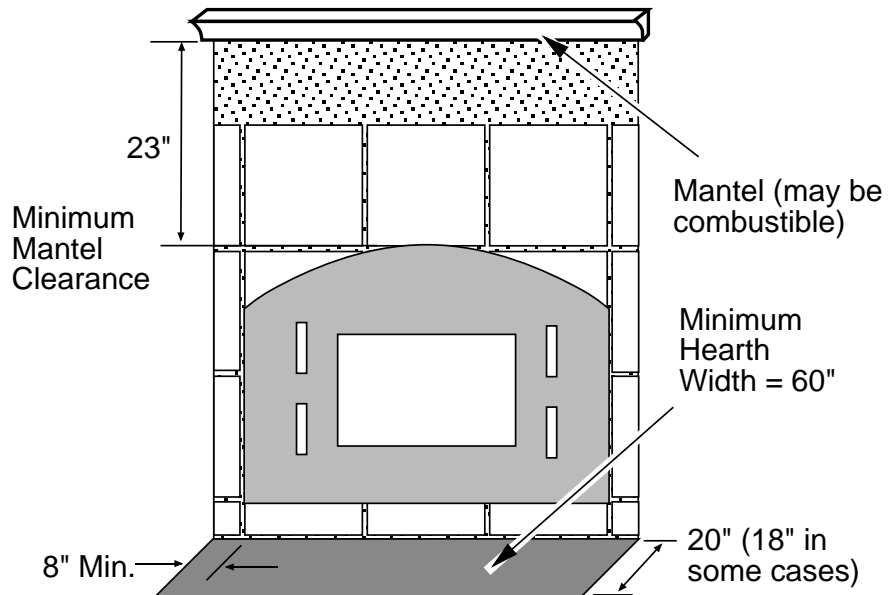


Figure 29

Hearth Requirements

- Local building codes may require a minimum hearth requirement different of what this manual states
- Hearth must extend 20" in front of the faceplate when it is not elevated (see local building codes). Hearths raised 6-1/2" must extend a minimum 18".
- Hearth must extend a minimum 8" to both sides of the faceplate (60" wide)
- Hearth must be a minimum 1" thick of cement board (or equivalent)
- Hearth must not rise more than 6-1/2" above the base of the fireplace

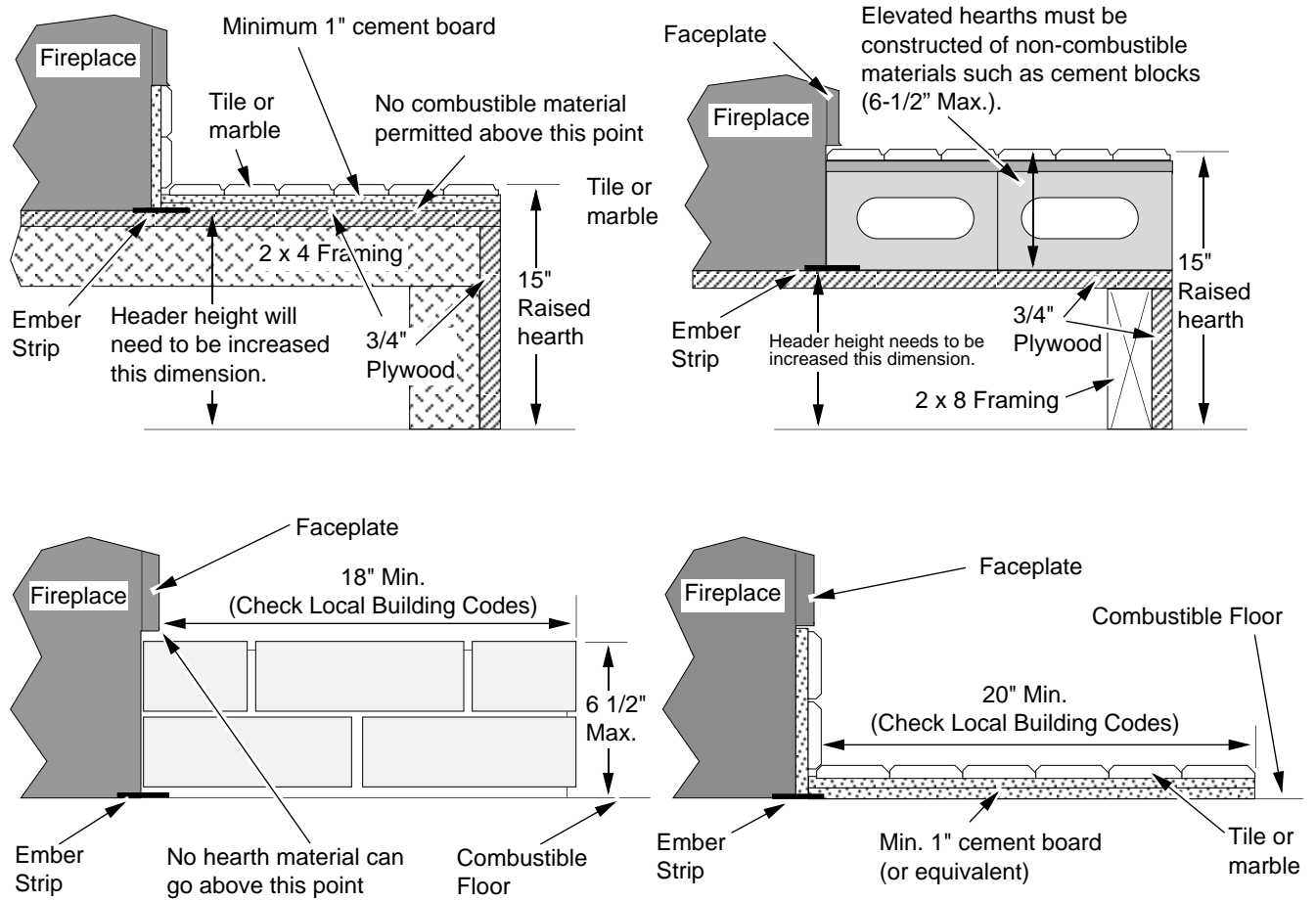


Figure 30

26 Finalizing the Installation (for qualified installers only)

Finalizing the Installation

ACID WASH WARNING Before installing the faceplate, make sure any masonry that has been treated with acid wash has been properly neutralized (this is used primarily with brick faces). Acid wash (muriatic acid) is used to remove excess mortar. If not properly neutralized with an ammonia solution, the gold face may develop a permanent tarnish when the acid evaporates over time.

WOOD SCRAP WARNING Never burn wood scraps in the fireplace. Treated wood breaks down the catalyst inside the fireplace, decreasing efficiency and increasing emissions.

Remove Set-Up Face

- Remove the set-up face using a phillips screwdriver (see Figure 31).

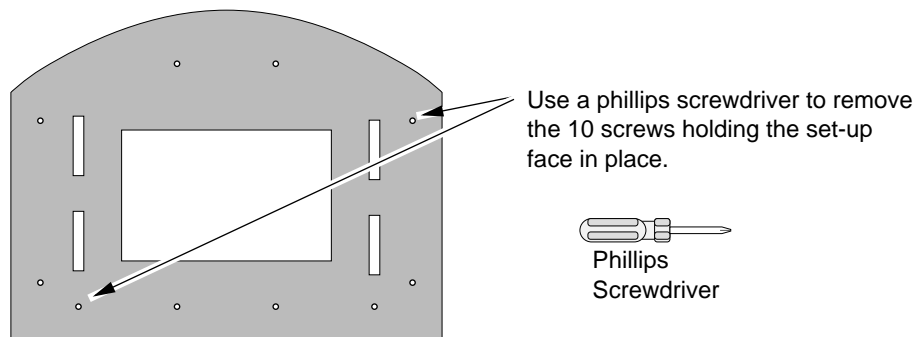


Figure 31

- Make sure the insulation between the firebox and fireplace can is still in place (see Figure 32).

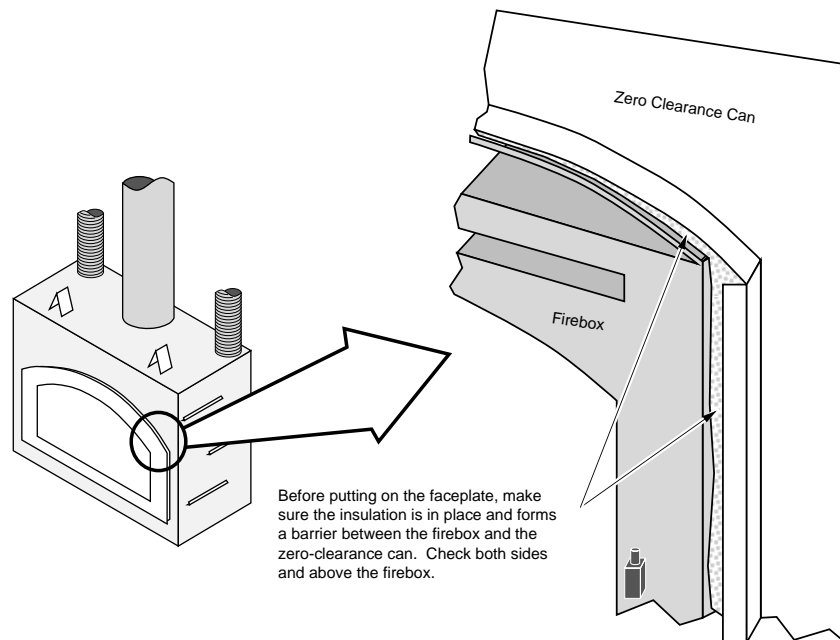


Figure 32

Prepare the Firebox

- Make sure the firebrick is properly in place (see Figure 33).
- Install the log retainer using the included 1/8" allen wrench.
- Install the baffle and grate.

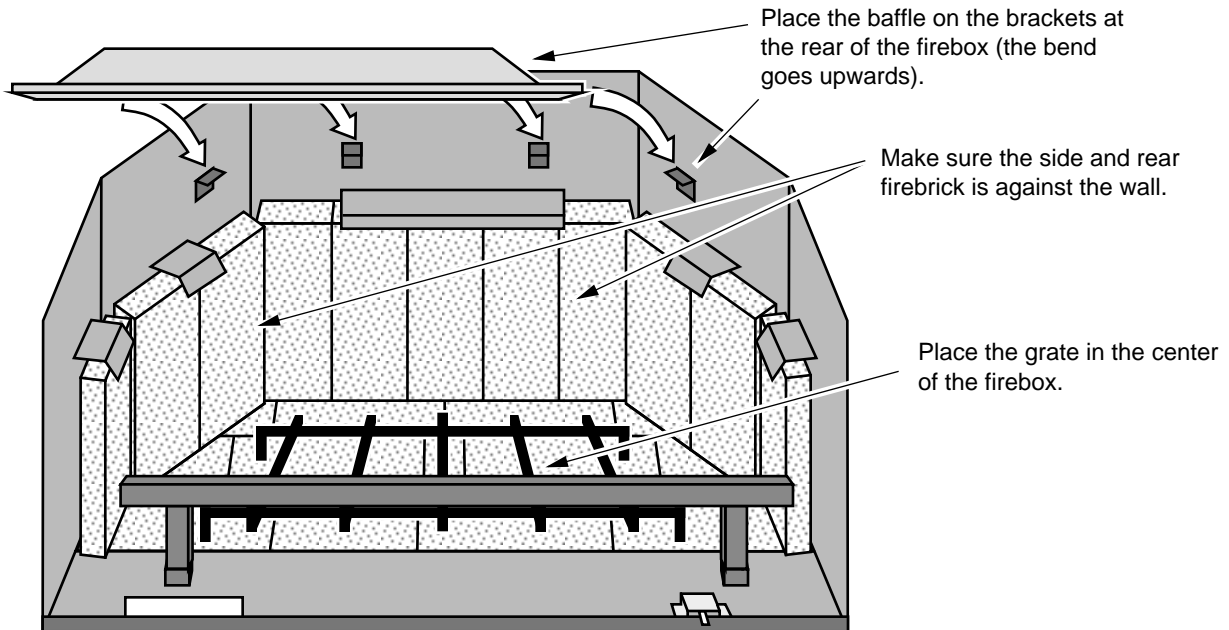
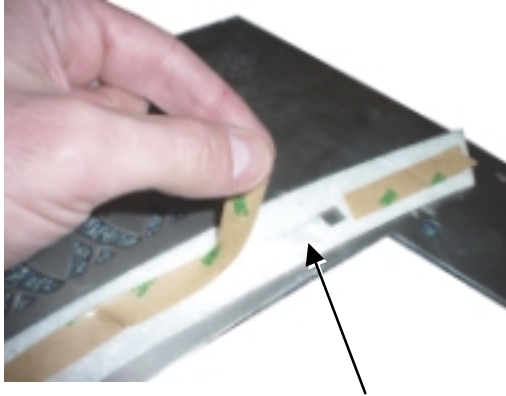


Figure 33

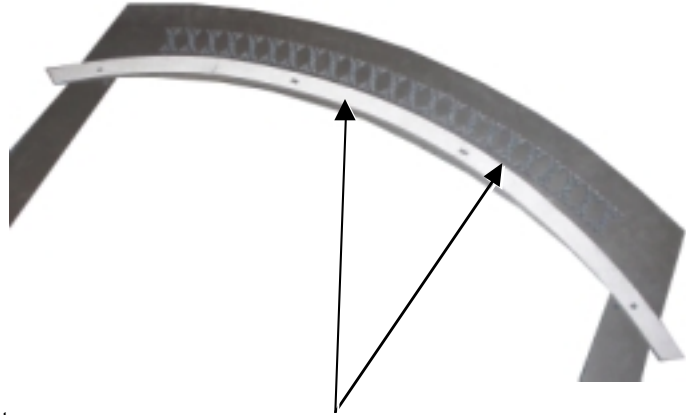
28 Finalizing the Installation (for qualified installers only)

Install the Faceplate Insulation

Attach the faceplate insulation (included with the fireplace) to the back of the face (see the illustrations below).



Peel the backing off the double-backed tape on the top (arched) piece of gasket. Make sure to leave the tape attached to the gasket (use a knife if necessary).



Attach the gasket onto the back of the face (note how the holes on the gasket line up with the holes on the face). The 36 is pictured – the 44 installs in a similar fashion.

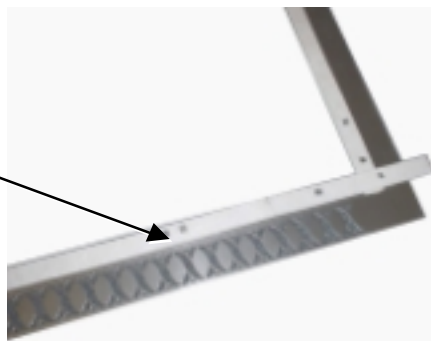


Attach the side gaskets in the same fashion, making sure the holes in the gasket line up with the holes on the face.



On the 36 you will need to trim the excess gasket on the upper corners (the 44 does not require trimming).

Attach the lower gasket in the same fashion, making sure the holes in the gasket line up with the holes on the face.



On the 36 you will need to trim the excess gasket on the lower corners (the 44 does not require trimming).

Faceplate Installation

- The faceplate is packaged with faceplate attachment screws. Use a phillips screwdriver to attach the faceplate (see Figure 34).
- **NOTE:** do not pinch any of the wires in the lower right between the faceplate and the fireplace.

10 faceplate attachment screws come included with the faceplate.

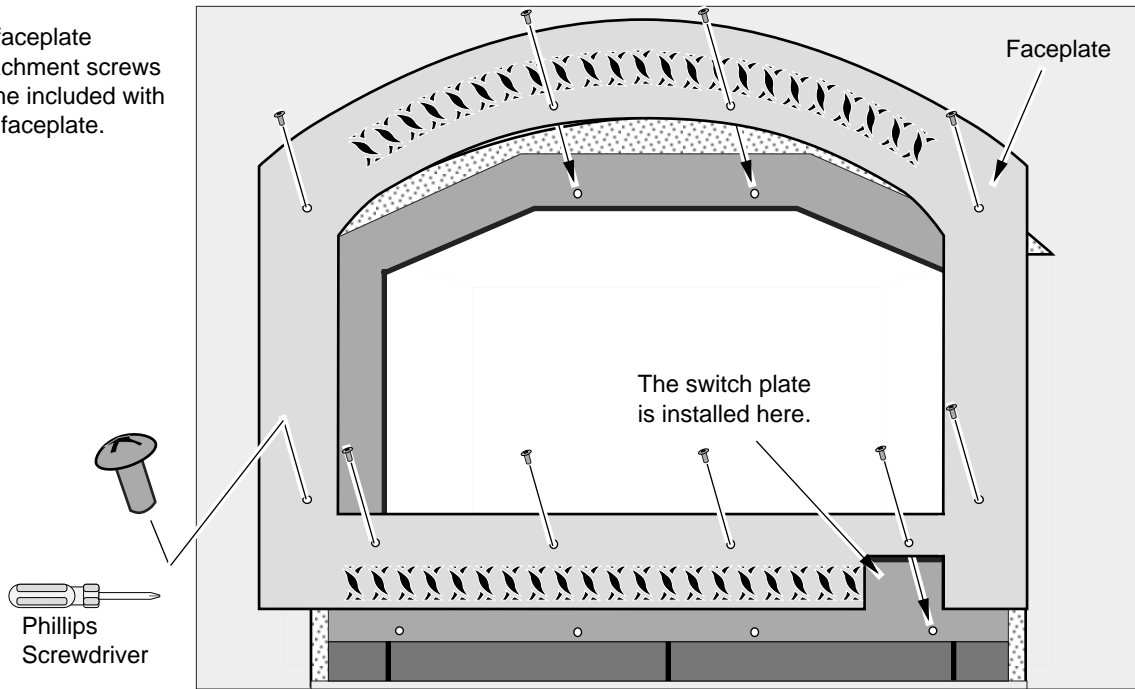


Figure 34

30 Finalizing the Installation (for qualified installers only)

Switchplate Installation and Blower Check

- Attach the two male quick-connects from the switch plate to the two female quick-connects leading from the fireplace (see Figure 35). If the optional summer fan switch is being used, connect the other two quick connects, otherwise tuck the two male quick-connects leading from the fireplace into the cavity behind the faceplate. Attach the switch plate to the faceplate using a standard screwdriver (NOTE: the attachment screws are threaded into the faceplate).

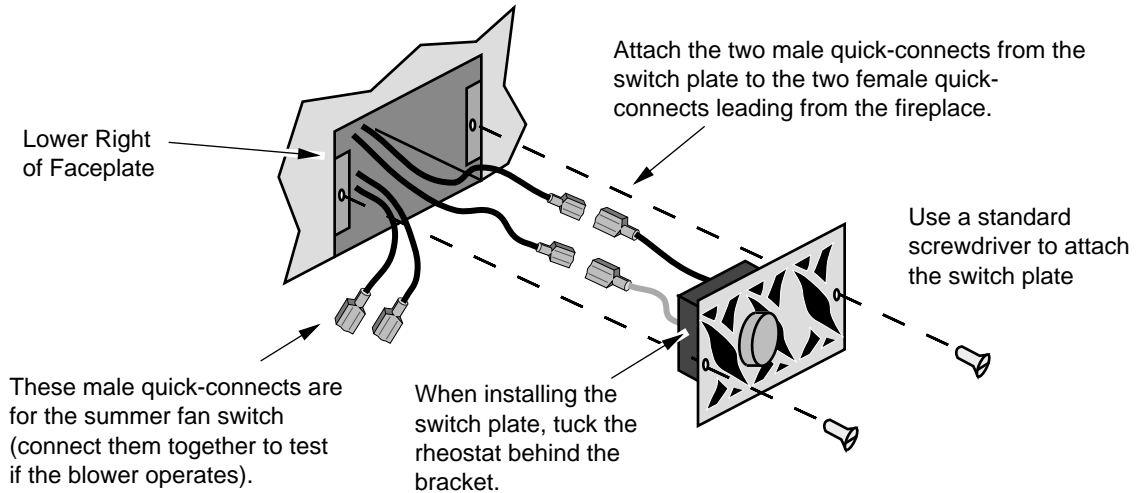


Figure 35

- Test the blower circuit by following the directions in Figure 36.

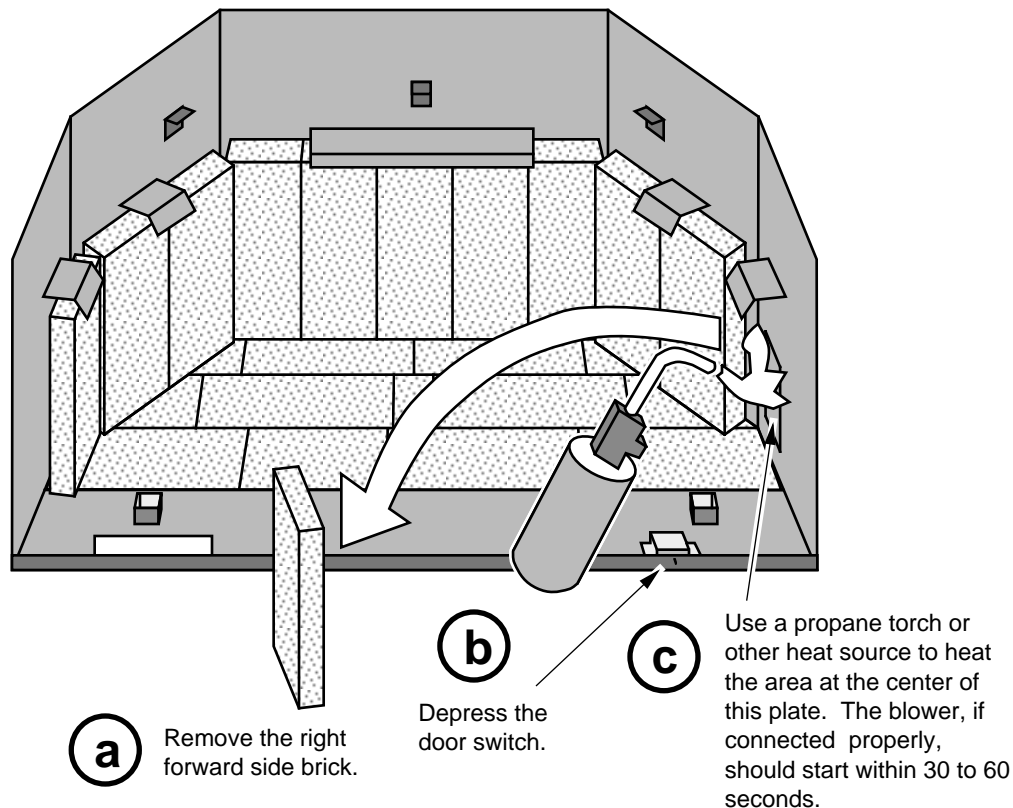


Figure 36

Door Installation

Door Installation

98500470,
98500471,
98500472

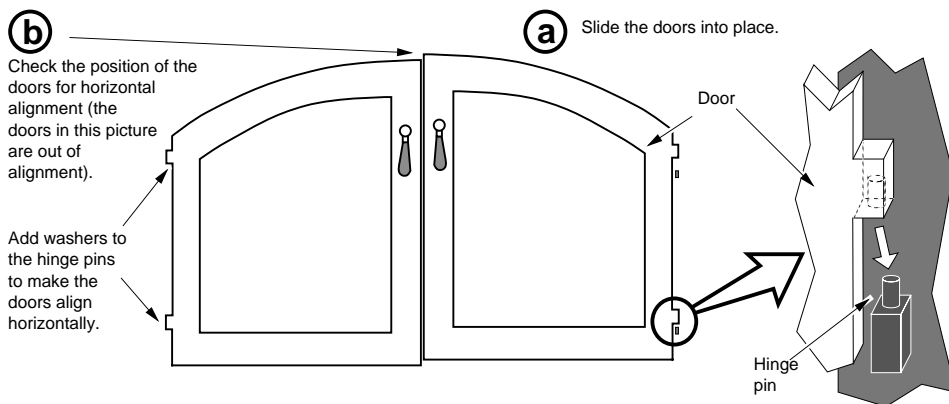


Figure 37

Door Latch Adjustment

Adjust the door latch, if necessary to make a snug fit between the door gasket and the fireplace. Adjustments are made to the door latch by moving the washers from either side of the door latch and tightening the inner nut against the outer nut.

Door Latch Adjustment

The door latch is adjusted by moving washers from one side of the latch to the other (removing outer washers makes it tighter). Tighten the outer nut against the inner nut to secure the latch.

NOTE: The outer washer(s) must be slightly loose to allow the door handle to turn.

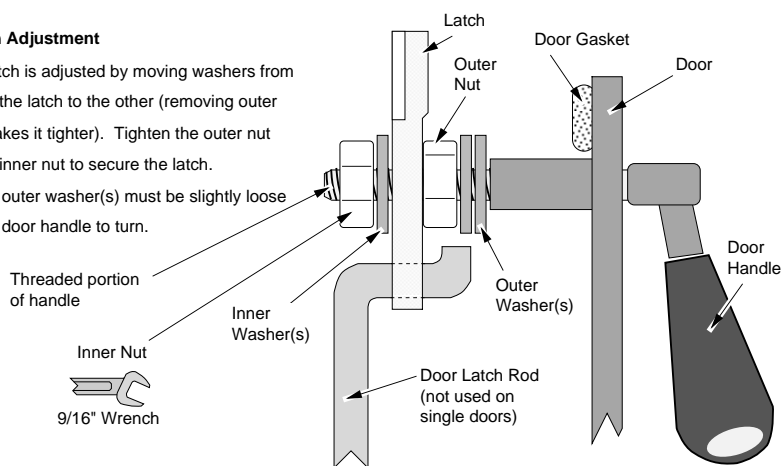


Figure 38

Approved Chimney Brands.....	16	Install the Faceplate Insulation	28
Blower Duct Connection.....	15	Installation Options	6
Blower Duct Routing.....	14	Installation Overview.....	7
Blower Electrical Connection.....	15	Installation Requirements for Cold Environments....	8
Blower	14	Installation Warnings.....	4
Chimney Clearances to Combustibles.....	19	Items Shipped with the Door(s)	6
Chimney Height	17	Items Shipped with the Faceplate.....	6
Chimney Installation	16	Listing Details	2
Chimney Requirements.....	16	Mantel Requirements.....	24
Chimney Termination Requirements.....	21	Minimum Framing Dimensions.....	10
Chimneys Part Numbers	16	Negative Pressure Warning.....	9
Clearances.....	12	Offset Requirements (30° Elbows).....	18
Cooling Vent.....	13	Operating Warnings.....	4
Dimensions	6	Overview.....	2
Door Installation.....	31	Packing List	6
Door Latch Adjustment.....	31	Prepare the Firebox.....	27
Door Installation.....	31	Raised Fireplaces.....	12
Faceplate Installation.....	29	Recommended Order of Installation.....	7
Facing Requirements.....	22	Remove Set-Up Face.....	26
Fireplace Placement Requirements.....	10	Switchplate Installation and Blower Check	30
Fireplace Placement	11		
Firestops.....	20		
Framing Dimensions at 45°.....	10		
Framing the Roof	20		
Hearth Requirements.....	25		
Heating Specifications.....	6		